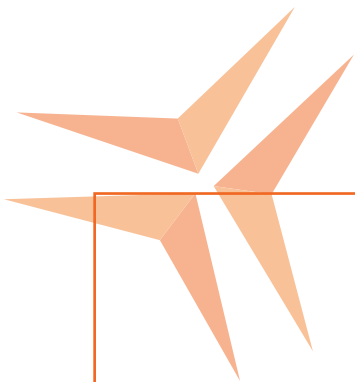


## INFRARØDE VARMEKAKLER

---



## MODULAR IR HEATERS

# MODULAR IR HEATERS



## MODULAR IR 260 – MODULAR LONG WAVE INFRARED HEATER ALLOWING MULTIPLE UNITS TO BE ARRAYED WITH EQUAL ELEMENT SPACING

Dual voltage 480/240 V (elements can be connected in series or parallel)

Two power output options – 2.4 kW and 1.6 kW

Robust high temperature resistant construction

Fitted with high efficiency black ceramic hollow emitter model SFEH (x 4)

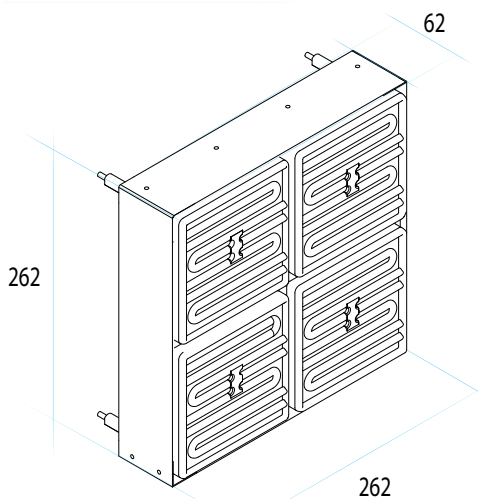
Stainless steel housing

High reflectivity polished aluminised steel reflector plate

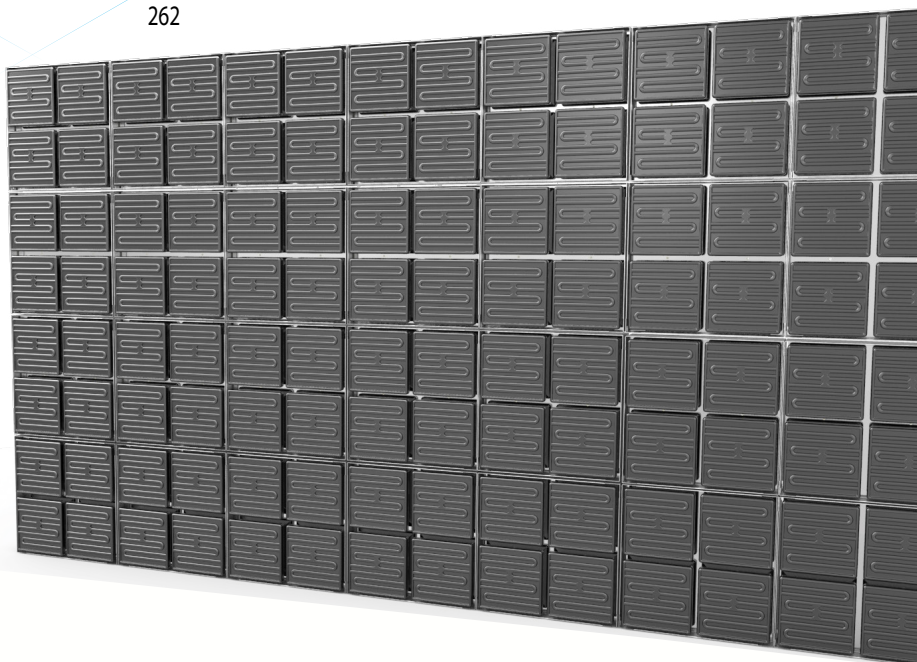
Fixed using 4 stainless steel stand off's with M6 threaded screw and fixing nut

Optional type K thermocouple in one of the ceramic emitters

Thermocouple (if installed) connected using removable ceramic type K plug (supplied)



The Modular IR 260 units are designed to maintain equal element spacing when mounted in an array

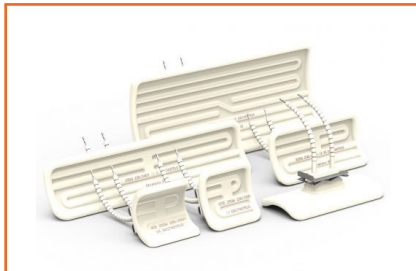




**ELVARME**



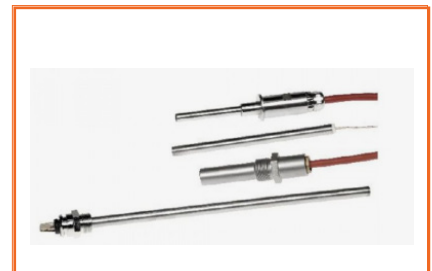
**VORES PRODUKTSORTIMENT INKLUDERER:**



**CERAMIC ELEMENTS**



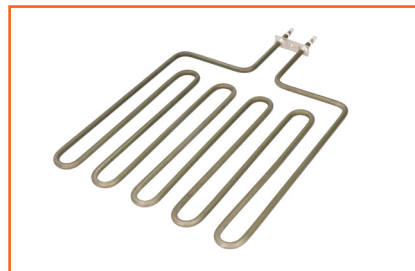
**FAST IR-SYSTEMS**



**VARMEPATRONER**



**ELPATRONER**



**RØRVARMELEGEMER**



**INFRARØDE VARMEKAKLER**

**VI FØRER PRODUKTER INDENFOR KATEGORIERNE:**



**AUTOMATIK**



**HVAC & BYGNINGS-  
AUTOMATIK**



**KØLEPROFILER**



**NEWTRONIC**

Ove Jensens Alle 35 F  
DK-8700 Horsens  
Denmark  
[www.newtronic.eu](http://www.newtronic.eu)  
[www.newtronic.dk](http://www.newtronic.dk)  
+45 7669 7090

