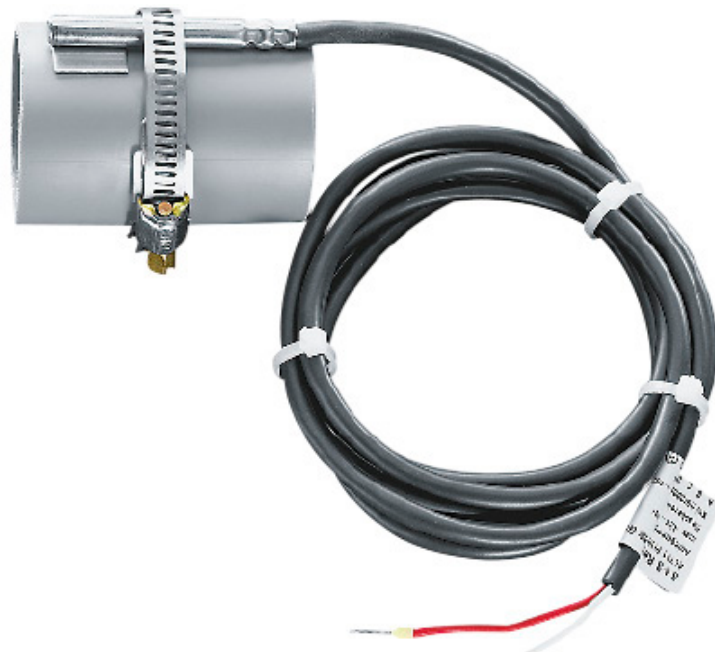


TEMPERATUR PASSIV



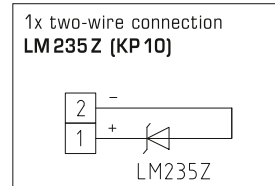
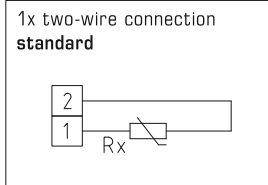
PÅSPÆNDINGS-
& PENDULFØLERE

Surface contact temperature sensors /
surface temperature sensors,
with passive output

Small surface contact resistance thermometer in aluminium enclosure (cable sensor).
The surface sensor **THERMASGARD® OFTF** is used for temperature detection on flat or slightly convex surfaces, for instance for surface temperature measurement at windows, for monitoring formation of condensate, or as heating surface sensor, e.g. at windows or walls.

TECHNICAL DATA

Measuring range:	-30...+105 °C
Sensors / output:	see table, passive (Perfect Sensor Protection with IP68)
Connection type:	2-wire connection
Testing current:	< 0.6 mA (Pt1000) < 1.0 mA (Pt100) < 0.3 mA (Ni1000, Ni1000 TK5000) < 2.0 mW (NTC xx) 400 µA...5 mA (LM235Z)
Process connection:	attachment to the surface to be measured through fixing hole in the sensor head or by suitable adhesive
Protective sleeve:	aluminium
Dimensions:	8 x 8 x 50 mm
Connecting cable:	PVC; 1.5 m, LiYY, 2 x 0.25 mm ² , ends stripped with wire end sleeves (optional with silicone cable SiHF, up to +180 °C)
Insulating resistance:	≥ 100 MΩ, at +20 °C (500 V DC)
Permissible air humidity:	< 95 % r. H., non-precipitating air
Protection class:	III (according to EN 60 730)
Protection type:	IP65 (according to EN 60 529) sleeve humidity-tight (standard) IP68 (according to EN 60 529) sleeve water-tight (optional)



IP65 (standard)
humidity-tight



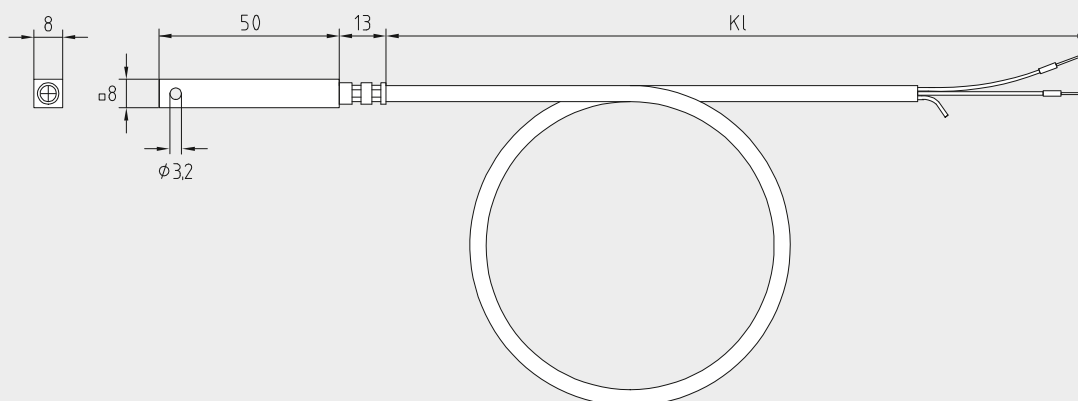
IP68 (optional)
water-tight
Perfect Sensor Protection

High-performance encapsulation against
vibration, mechanical stress and humidity



Dimensional drawing

OFTF





OUTF



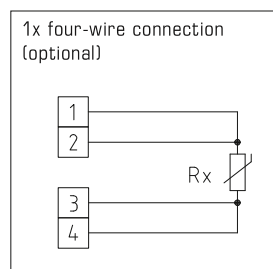
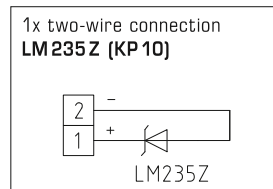
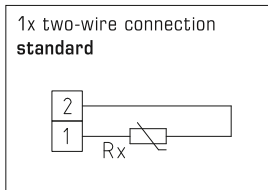
THERMASGARD® OUTF Surface contact temperature sensors / surface temperature sensors			
Type / WG03	Sensor / output	Item No.	Price
OUTF		IP65	
OUTF Pt100 PVC 1,5M	Pt100 (according to DIN EN 60 751, class B)	1101-6010-1211-110	35,23 €
OUTF Pt1000 PVC 1,5M	Pt1000 (according to DIN EN 60 751, class B)	1101-6010-5211-110	35,23 €
OUTF Ni1000 PVC 1,5M	Ni1000 (according to DIN EN 43 760, class B, TCR = 6180 ppm/K)	1101-6010-9211-110	37,27 €
OUTF NiTK PVC 1,5M	Ni1000 TK5000 (TCR = 5000 ppm/K), LG-Ni1000	1101-6011-0211-110	41,21 €
OUTF LM235Z PVC 1,5M	LM235Z (TCR = 10 mV/K; 2.73 V at 0°C), KP10	1101-6012-1211-110	35,91 €
OUTF NTC1,8K PVC 1,5M	NTC 1.8K	1101-6011-2211-110	33,88 €
OUTF NTC10K PVC 1,5M	NTC 10K	1101-6011-5211-110	33,88 €
OUTF NTC20K PVC 1,5M	NTC 20K	1101-6011-6211-110	33,88 €
Extra charge:	Protection type IP68 (sensor sleeve watertight compound-filled) 2-wire connecting leads (PVC/silicone) per running metre 4-wire connecting leads (PVC/silicone) per running metre	on request on request	3,24 €
For special orders please specify:	Type, sensor type, cable length e.g. OUTF Pt100, 3m; OUTF Pt100 1/3 DIN, 4m; OUTF KTY 81-210, 6m		

Surface contact temperature sensors / tube contact temperature sensors, including strap, with passive output

THERMASGARD® ALTF 1 surface contact sensors are electric contact thermometers and are used for measuring surface temperatures of solids, having at least one so-called contact area that is brought into contact with the surface to be measured. The surface contact temperature sensor ALTF 1 with connection cable and passive output determines the temperature of a medium flowing inside a pipe (e.g. water temperature) via the surface temperature. ALTF 1 is a tube contact resistance thermometer with strap and axial feeler tube for measuring temperature on piping and tubes (e.g. cold-water and hot-water), or at heating sections for heating system control.

TECHNICAL DATA

Measuring range:	-35...+105 °C PVC -35...+180 °C silicone (T_{max} NTC = +150 °C, T_{max} LM235Z = +125 °C)
Sensors / output:	see table, passive (optional also with 2 sensors) (Perfect Sensor Protection with IP68)
Connection type:	2-wire connection (4-wire connection optional)
Testing current:	< 0.6 mA (Pt1000) < 1.0 mA (Pt100) < 0.3 mA (Ni1000, Ni1000 TK5000) < 2.0 mW (NTC xx) 400 µA...5 mA (LM235Z)
Connecting cable:	PVC; 1.5 m, LiYY, 2 x 0.25 mm ² or silicone, SiHF, 2 x 0.25 mm ² ends stripped, with wire end sleeves
Insulating resistance:	≥ 100 MΩ, at +20 °C (500 V DC)
Sensor protection:	pipe feeder made of stainless steel V4A (1.4571), Ø = 6 mm, L = 50 mm
Process connection:	with endless strap with metal tightener (included in the scope of delivery) Ø = 13-92 mm (¼-3"); length 300 mm
Humidity:	< 95 % r. H., non-precipitating air
Protection class:	III (according to EN 60 730)
Protection type:	IP65 (according to EN 60 529) sleeve humidity-tight (standard) IP68 (according to EN 60 529) sleeve water-tight (optional)



IP65 (standard)
humidity-tight



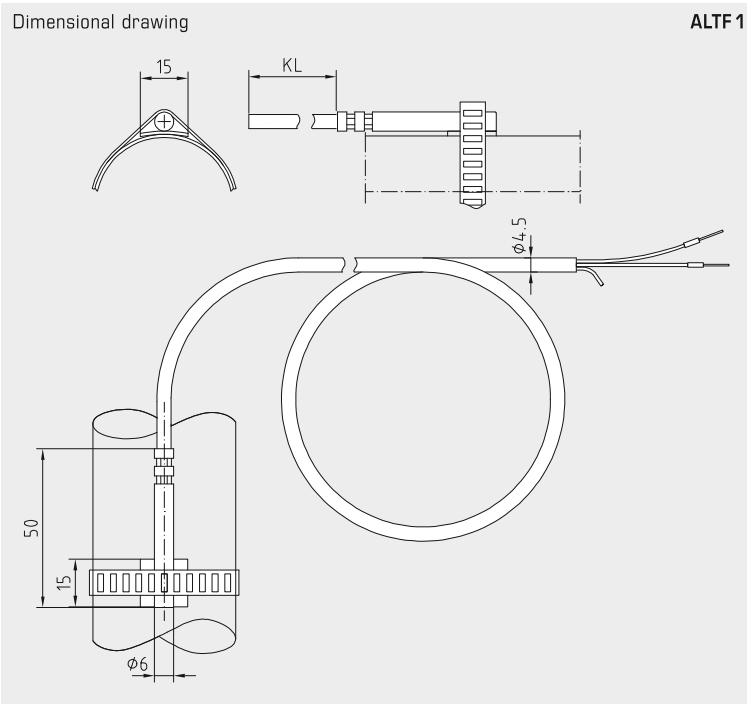
IP68 (optional)
water-tight
Perfect Sensor Protection

THERMASGARD® ALTF 1 Surface contact temperature sensors / tube contact temperature sensors (PVC)

Type / WG03	Sensor / Output	Item No.	Price
ALTF 1 xx PVC		IP65, PVC	
ALTF1 Pt100 PVC 1,5M	Pt100 (according to DIN EN 60 751, class B)	1101-6020-1211-110	19,29 €
ALTF1 Pt1000 PVC 1,5M	Pt1000 (according to DIN EN 60 751, class B)	1101-6020-5211-110	19,29 €
ALTF1 Ni1000 PVC 1,5M	Ni1000 (according to DIN EN 43 760, class B, TCR = 6180 ppm / K)	1101-6020-9211-110	20,00 €
ALTF1 NiTK PVC 1,5M	Ni1000 TK5000 (TCR = 5000 ppm / K), LG-Ni1000	1101-6021-0211-110	20,74 €
ALTF1 LM235Z PVC 1,5M	LM235Z (TCR = 10 mV / K; 2.73 V at 0 °C), KP10	1101-6022-1211-110	20,37 €
ALTF1 NTC1,8K PVC 1,5M	NTC 1.8K	1101-6021-2211-110	19,77 €
ALTF1 NTC10K PVC 1,5M	NTC 10K	1101-6021-5211-110	19,77 €
ALTF1 NTC20K PVC 1,5M	NTC 20K	1101-6021-6211-110	19,77 €
Note:	including strap, connecting cable PVC (KL = 1.5 m)		
Extra charge:	Protection type IP68 (Sensor sleeve watertight compound-filled) 2-wire connecting leads, per running meter (PVC) Other sensors optional	on request on request	3,24 €

ACCESSORIES

WLP-1	Heat-conductive paste, silicone-free	7100-0060-1000-000	3,22 €
--------------	--------------------------------------	--------------------	---------------



High-performance encapsulation against vibration, mechanical stress and humidity

PS-PROTECTION
PERFECT SENSOR PROTECTION

THERMASGARD® ALTF 1 Surface contact temperature sensors / tube contact temperature sensors (silicone)

Type / WG03	Sensor / Output	Item No.	Price
ALTF 1 xx SILIKON		IP 65, silicone	
ALTF1 Pt100 Silikon 1,5M	Pt100 (according to DIN EN 60 751, class B)	1101-6020-1211-120	20,00 €
ALTF1 Pt1000 Silikon 1,5M	Pt1000 (according to DIN EN 60 751, class B)	1101-6020-5211-120	20,00 €
ALTF1 Ni1000 Silikon 1,5M	Ni1000 (according to DIN EN 43 760, class B, TCR = 6180 ppm / K)	1101-6020-9211-120	21,35 €
ALTF1 NiTK Silikon 1,5M	Ni1000 TK5000 (TCR = 5000 ppm / K), LG-Ni1000	1101-6021-0211-120	22,44 €
ALTF1 LM235Z Silikon 1,5M	LM235Z (TCR = 10 mV / K; 2.73 V at 0 °C), KP10	1101-6022-1211-120	20,74 €
ALTF1 NTC1,8K Silikon 1,5M	NTC 1.8K	1101-6021-2211-120	20,62 €
ALTF1 NTC10K Silikon 1,5M	NTC 10K	1101-6021-5211-120	20,62 €
ALTF1 NTC20K Silikon 1,5M	NTC 20K	1101-6021-6211-120	20,62 €
Note:	including strap, connecting cable silicone (KL = 1.5 m)		
Extra charge:	Protection type IP 68 (Sensor sleeve watertight compound-filled) 2-wire connecting leads, per running meter (silicone) Other sensors optional	on request on request	3,24 €

ACCESSORIES

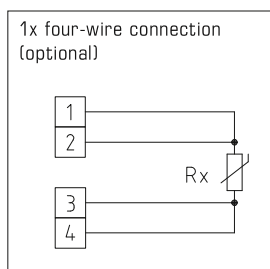
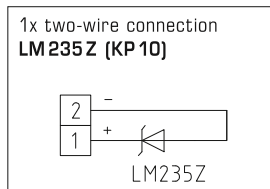
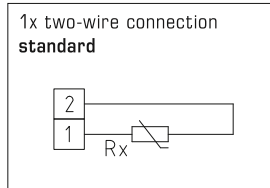
WLP-1	Heat-conductive paste, silicone-free	7100-0060-1000-000	3,22 €
--------------	--------------------------------------	--------------------	---------------

Surface contact temperature sensors /
tube contact temperature sensors, including strap,
with passive output

THERMASGARD® ALTF 2 is a tube contact resistance thermometer with passive output, in an impact-resistant plastic housing with quick-locking screws, incl.strap.

THERMASGARD® ALTF 02 is a cost-saving tube contact resistance thermometer with passive output, in an impact-resistant plastic housing with snap-on lid, incl.strap.

Surface contact sensors are electric contact thermometers used for surface temperature measurement on solids, having at least one so-called contact area that is brought into contact with the surface to be measured. This surface contact temperature sensor measures the temperature of a medium flowing inside a pipe (e.g. the water temperature). This tube surface sensor is used for measuring temperature on piping and tubes (e.g. cold-water and hot-water), wor on heating sections for heating system control.



TECHNICAL DATA

Measuring range:	-30...+110 °C
Sensors / output:	see table, passive (Perfect Sensor Protection) (optional also with two sensors)
Connection type:	2-wire connection (4-wire connection on PT100/PT1000A, optional on other sensors)
Testing current:	< 0.6 mA (Pt1000) < 1.0 mA (Pt100) < 0.3 mA (Ni1000, Ni1000 TK5000) < 2.0 mW (NTC xx) 400 µA...5 mA (LM235Z)
Housing:	plastic, UV-resistant, material polyamide, 30 % glass-globe reinforced, colour traffic white (similar to RAL 9016), ALTF 02 with snap-on lid, ALTF 2 with quick-locking screws (slotted / Phillips head combination)
Dimensions:	72 x 64 x 37,8 mm (Tyr 1 / Tyr 01)
Electrical connection:	0.14 - 1.5 mm ² via terminal screws
Cable connection:	cable gland , plastic (M 16 x 1.5; with strain relief, exchangeable, max. inner diameter 10.4 mm) or M12 connector according to DIN EN 61076-2-101 (optional on request)
Process connection:	with endless strap with metal tightener (included in the scope of delivery) Ø = 13-92 mm (1/4-3"), length L = 300 mm
Insulating resistance:	≥ 100 MΩ, at +20 °C (500 V DC)
Humidity:	< 95 % r. H., non-precipitating air
Protection class:	III (according to EN 60 730)
Protection type:	ALTF 02 IP 54 (according to EN 60 529) Housing tested, TÜV SÜD, Report No. 713160960A (Tyr 01) ALTF 2 IP 65 (according to EN 60 529) Housing tested, TÜV SÜD, Report No. 713139052 (Tyr 1)

THERMASGARD® ALTF 02 Surface contact temperature sensors / tube contact temperature sensors, *Standard*
including strap, with snap-on lid

Type / WG03B	Sensor / Output	Item No.	Price
ALTF 02		IP 54	
ALTF02 Pt100	Pt100 (according to DIN EN 60 751, class B)	1101-1010-1003-000	20,62 €
ALTF02 Pt1000	Pt1000 (according to DIN EN 60 751, class B)	1101-1010-5001-000	20,62 €
ALTF02 Ni1000	Ni1000 (according to DIN EN 43 760, class B, TCR = 6180 ppm / K)	1101-1010-9001-000	20,97 €
ALTF02 NiTK	Ni1000 TK5000 (TCR = 5000 ppm / K), LG-Ni1000	1101-1011-0001-000	24,01 €
ALTF02 LM235Z	LM235Z (TCR = 10 mV / K; 2,73 V at 0 °C), KP10	1101-1012-1001-000	21,22 €
ALTF02 NTC1,8K	NTC 1.8K	1101-1011-2001-000	20,00 €
ALTF02 NTC10K	NTC 10K	1101-1011-5001-000	20,00 €
ALTF02 NTC20K	NTC 20K	1101-1011-6001-000	20,00 €
Extra charge:	two or other sensors optional cable connection with M12 connector according to DIN EN 61076-2-101	on request on request	

ACCESSORIES

WLP-1	Heat-conductive paste, silicone-free	7100-0060-1000-000	3,22 €
--------------	--------------------------------------	--------------------	---------------

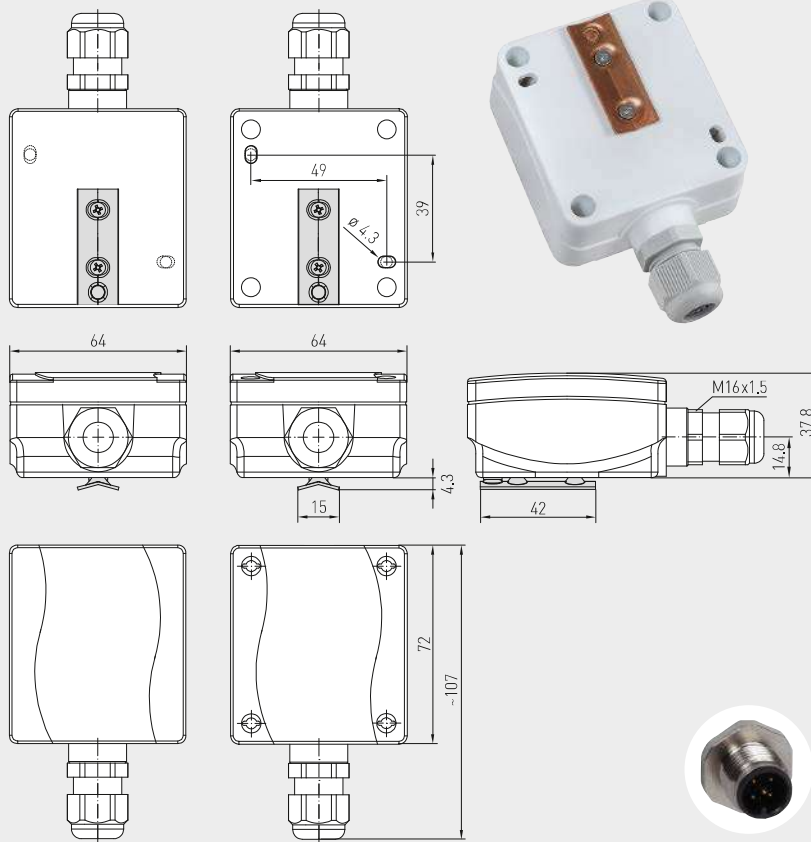


S+S REGELTECHNIK

THERMASGARD® ALTF 2
THERMASGARD® ALTF 02

Surface contact temperature sensors /
tube contact temperature sensors, including strap,
with passive output

Dimensional drawing



with snap-on lid

with quick-locking
screws

M12 connector
(optional on request)

ALTF 2
ALTF 02

ALTF 02
with snap-on lid
(IP54)



ALTF 2
with quick-locking
screws
(IP65)



High-performance encapsulation against
vibration, mechanical stress and humidity



THERMASGARD® ALTF 2 Surface contact temperature sensors / tube contact temperature sensors, *Premium*
including strap, with quick-locking screws

Type / WG03	Sensor / Output	Item No.	Price
ALTF 2		IP65	
ALTF2 Pt100	Pt100 (according to DIN EN 60 751, class B)	1101-1020-1003-000	23,94 €
ALTF2 Pt1000	Pt1000 (according to DIN EN 60 751, class B)	1101-1020-5001-000	24,62 €
ALTF2 Pt1000A	Pt1000 (according to VDI/VDE 3512, class A-TGA)	1101-1020-6003-000	28,00 €
ALTF2 Ni1000	Ni1000 (according to DIN EN 43 760, class B, TCR = 6180 ppm/K)	1101-1020-9001-000	24,28 €
ALTF2 NiTK	Ni1000 TK5000 (TCR = 5000 ppm/K), LG-Ni1000	1101-1021-0001-000	28,46 €
ALTF2 LM235Z	LM235Z (TCR = 10 mV/K; 2.73 V at 0 °C), KP10	1101-1022-1001-000	23,49 €
ALTF2 NTC1,8K	NTC 1.8K	1101-1021-2001-000	20,43 €
ALTF2 NTC10K	NTC 10K	1101-1021-5001-000	20,43 €
ALTF2 NTC20K	NTC 20K	1101-1021-6001-000	20,43 €
Extra charge:	two or other sensors optional cable connection with M12 connector according to DIN EN 61076-2-101	on request on request	

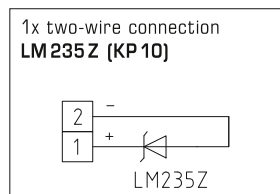
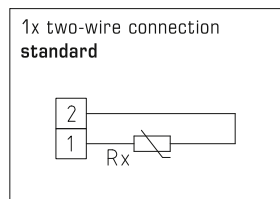
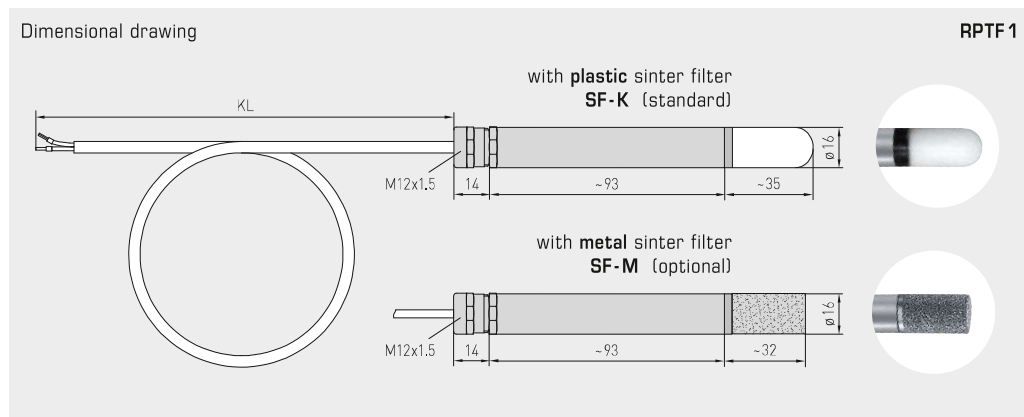
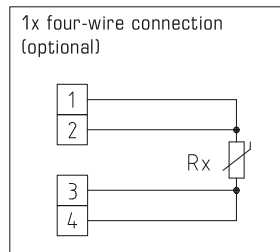
ACCESSORIES

WLP-1	Heat-conductive paste, silicone-free	7100-0060-1000-000	3,22 €
--------------	--------------------------------------	--------------------	---------------

**Pendulum room temperature sensors
with passive output**

Resistance thermometer **THERMASGARD® RPTF 1** with passive output is specifically used for temperature detection in larger rooms and halls. Due to the measuring method employed by this pendulum room temperature sensor in combination with its positioning in the room, excellent and room-representative measuring results are achieved as ambient air of the room is steadily washing around the sensor.

TECHNICAL DATA	
Measuring range:	-5...+60 °C
Sensors / output:	see table, passive (optional also with two sensors)
Sensor protection:	plastic sinter filter, Ø 16 mm, L = 35 mm, exchangeable (optional metal sinter filter, Ø 16 mm, L = 32 mm)
Connection type:	2-wire connection (4-wire connection optional)
Testing current:	< 0.6 mA (Pt1000) < 1.0 mA (Pt100) < 0.3 mA (Ni1000, Ni1000 TK5000) < 2.0 mW (NTC xx) 400 µA...5 mA (LM235Z)
Connection cable:	PVC, H03VV-F, 2 x 0.5 mm ² , ends stripped with wire end sleeves KL = approx. 1.5 m (other lengths optional)
Protective tube:	stainless steel V2A (1.4301), Ø=16 mm, NL=142 mm
Insulating resistance:	≥ 100 MΩ, at +20 °C (500 V DC)
Humidity:	< 95% r. H.
Protection class:	III (according to EN 60 730)
Protection type:	IP 65 (according to EN 60 529)



THERMASGARD® RPTF 1 Pendulum room temperature sensors (with metal sleeve)

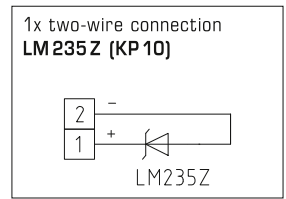
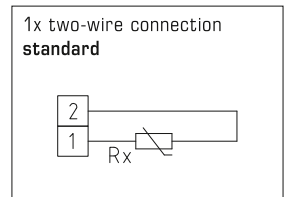
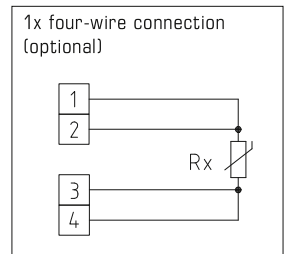
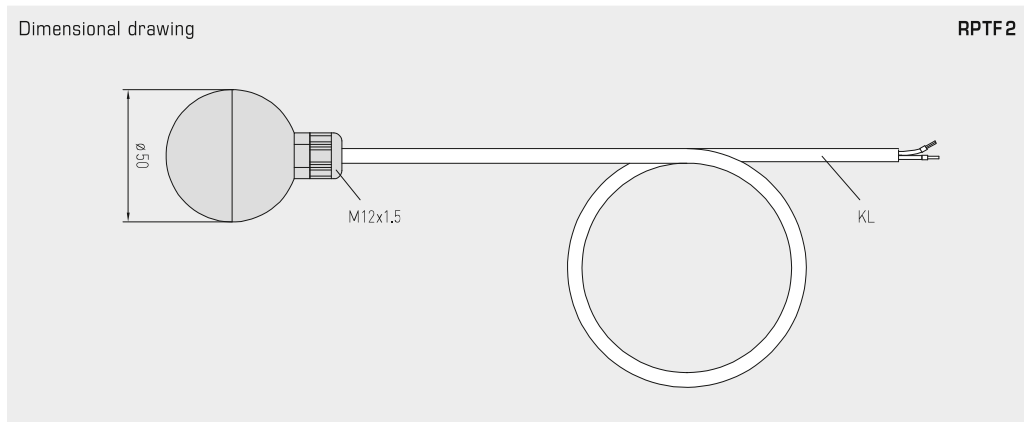
Type / WG03	Sensor / Output	Item No.	Price
RPTF 1		IP 65	
RPTF1 Pt100 PVC 1,5M	Pt100 (according to DIN EN 60 751, class B)	1101-6060-1211-010	55,89 €
RPTF1 Pt1000 PVC 1,5M	Pt1000 (according to DIN EN 60 751, class B)	1101-6060-5211-010	58,82 €
RPTF1 Ni1000 PVC 1,5M	Ni1000 (according to DIN EN 43 760, class B, TCR = 6180 ppm/K)	1101-6060-9211-010	57,83 €
RPTF1 NiTK PVC 1,5M	Ni1000 TK5000 (TCR = 5000 ppm/K), LG-Ni1000	1101-6061-0211-010	61,47 €
RPTF1 LM235Z PVC 1,5M	LM235Z (TCR = 10 mV/K; 2.73 V at 0 °C), KP10	1101-6062-1211-110	56,03 €
RPTF1 NTC1,8K PVC 1,5M	NTC 1.8K	1101-6061-2211-010	61,24 €
RPTF1 NTC10K PVC 1,5M	NTC 10K	1101-6061-5211-010	61,24 €
RPTF1 NTC20K PVC 1,5M	NTC 20K	1101-6061-6211-010	61,24 €

ACCESSORIES			
SF-M	Metal sinter filter, Ø 16 mm, L = 32 mm, exchangeable stainless steel V4A (1.4404)	7000-0050-2200-100	40,31 €
Extra charge:	2-wire connecting leads, per running meter (PVC) 4-wire connecting leads, per running meter (PVC)		on request on request
For special orders please specify:	Type, sensor type and cable length e.g. RPTF1 Pt100, 3m; RPTF1 Pt1000, 4m; RPTF1 KTY 81-210, 6m		



Resistance thermometer **THERMASGARD® RPTF 2** with passive output is specifically used for temperature detection in larger rooms and halls, as dark radiation sensor for example. The pendulum room sensor RPTF-2 (globe thermometer) determines the effective portion of active radiation or also the effective radiant heat at the measured location. Due to the measuring method employed by this pendulum room temperature sensor in combination with its positioning in the room, an excellent and room-representative measuring result is achieved. The globe temperature is determined to take heat radiation into consideration and to estimate the degree of thermal comfort (operative room temperature). The operative room temperature describes the coaction of heat radiation and heat convection (the ratio of globe temperature / air temperature is approx. 70% / 30%).

TECHNICAL DATA	
Measuring range:	-5...+60 °C
Sensors / output:	see table, passive (optional also with two sensors)
Connection type:	2-wire connection (4-wire connection optional)
Testing current:	< 0.6 mA (Pt1000) < 1.0 mA (Pt100) < 0.3 mA (Ni1000, Ni1000 TK5000) < 2.0 mW (NTC xx) 400 µA...5 mA (LM235Z)
Globe:	plastic, colour black, Ø = 50 mm
Connection cable:	PVC, H03VV-F, 2 x 0.5 mm ² , ends stripped with wire end sleeves KL = approx. 1.5 m (other lengths optional)
Insulating resistance:	≥ 100 MΩ, at +20 °C (500 V DC)
Humidity:	< 95% r. H.
Protection class:	III (according to EN 60 730)
Protection type:	IP 65 (according to EN 60 529)



THERMASGARD® RPTF 2 Pendulum room temperature sensors (with globe)

Type / WG03	Sensor / Output	Item No.	Price
RPTF 2		IP65	
RPTF2 Pt100 PVC 1,5M	Pt100 (according to DIN EN 60 751, class B)	1101-6070-1211-010	56,03 €
RPTF2 Pt1000 PVC 1,5M	Pt1000 (according to DIN EN 60 751, class B)	1101-6070-5211-010	58,92 €
RPTF2 Ni1000 PVC 1,5M	Ni1000 (according to DIN EN 43 760, class B, TCR = 6180 ppm/K)	1101-6070-9211-010	57,94 €
RPTF2 NiTK PVC 1,5M	Ni1000 TK5000 (TCR = 5000 ppm/K), LG-Ni1000	1101-6071-0211-010	61,58 €
RPTF2 LM235Z PVC 1,5M	LM235Z (TCR = 10mV/K; 2.73V at 0 °C), KP10	1101-6072-1211-010	56,14 €
RPTF2 NTC1,8K PVC 1,5M	NTC 1.8K	1101-6071-2211-010	61,35 €
RPTF2 NTC10K PVC 1,5M	NTC 10K	1101-6071-5211-010	61,35 €
RPTF2 NTC20K PVC 1,5M	NTC 20K	1101-6071-6211-010	61,35 €
Extra charge::	2-wire connecting leads, per running meter (PVC) 4-wire connecting leads, per running meter (PVC)		on request on request

For special orders please specify: Type, sensor type and cable length
e.g. RPTF2 Pt100, 3m; RPTF2 Pt1000, 4m; RPTF2 KTY 81-210, 6m

On-wall radiation temperature sensors with passive output

ASTF

Resistance thermometer **THERMASGARD® ASTF** with passive output, terminal box housing made of impact-resistant plastic and housing cover with quick-locking screws. This radiation sensor is specifically designed for temperature detection in wet areas or in larger rooms or halls. The on-wall radiation temperature sensor ASTF determines the effective portion of active radiation or the effective radiant heat at the measured location. Due to the measuring method employed by the dark radiation temperature sensor, excellent and room-representative measuring results are achieved.

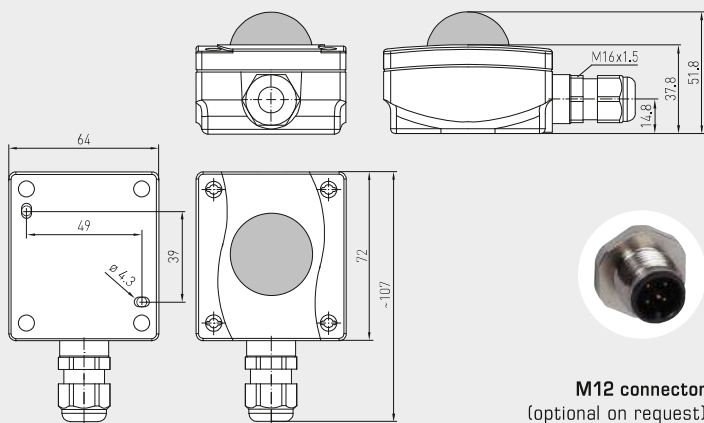


TECHNICAL DATA

Measuring range:	- 30 ...+ 75 °C
Sensors / output:	see table, passive (optional also with two sensors)
Connection type:	2-wire connection (4-wire connection on PT100, optional on other sensors)
Testing current:	< 0.6 mA (Pt1000) < 1.0 mA (Pt100) < 0.3 mA (Ni1000, Ni1000 TK5000) < 2.0 mW (NTC xx) 400 µA...5 mA (LM235Z)
Insulating resistance:	≥ 100 MΩ, at +20 °C (500 V DC)
Process connection:	by screws
Housing:	plastic, UV-resistant, material polyamide, 30% glass-globe reinforced, with quick-locking screws (slotted / Phillips head combination), colour traffic white (similar to RAL 9016), semi-globe: black
Housing dimensions:	72 x 64 x 37.8 (51.8) mm (Tyr 1)
Cable connection:	cable gland , plastic (M 16 x 1.5; with strain relief, exchangeable, max. inner diameter 10.4 mm) or M12 connector according to DIN EN 61076-2-101 (optional on request)
Electrical connection:	0.14 - 1.5 mm², via terminal screws
Humidity:	< 95 % r. H.
Protection class:	III (according to EN 60 730)
Protection type:	IP65 (according to EN 60529) Housing tested, TÜV SÜD, Report No. 713139052 (Tyr 1)

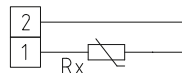
Dimensional drawing

ASTF

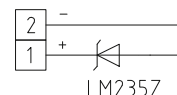


M12 connector
(optional on request)

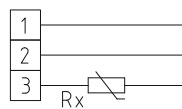
1x two-wire connection standard



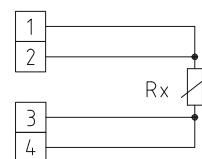
1x two-wire connection LM235Z (KP 10)



1x three-wire connection (optional)



1x four-wire connection (optional)



THERMASGARD® ASTF On-wall radiation temperature sensors

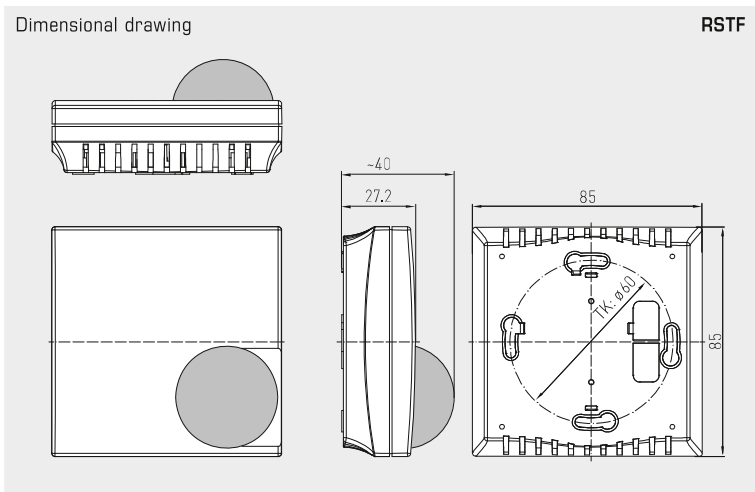
Type / WG03	Sensor / Output	Item No.	Price
ASTF		IP65	
ASTF Pt100	Pt100 (according to DIN EN 60 751, B)	1101-1060-1003-000	67,13 €
ASTF Pt1000	Pt1000 (according to DIN EN 60 751, class B)	1101-1060-5001-000	67,13 €
ASTF Ni1000	Ni1000 (according to DIN EN 43 760, class B, TCR = 6180 ppm / K)	1101-1060-9001-000	68,31 €
ASTF NiTK	Ni1000 TK5000 (TCR = 5000 ppm / K), LG-Ni1000	1101-1061-0001-000	70,57 €
ASTF LM235Z	LM235Z (TCR = 10 mV / K; 2.73 V at 0 °C), KP10	1101-1062-1001-000	65,89 €
ASTF NTC1,8K	NTC 1.8K	1101-1061-2001-000	70,57 €
ASTF NTC10K	NTC 10K	1101-1061-5001-000	70,57 €
ASTF NTC20K	NTC 20K	1101-1061-6001-000	70,57 €
Extra charge:	two or other sensors optional cable connection with M12 connector according to DIN EN 61076-2-101		on request on request

Resistance thermometer **THERMASGARD® RSTF** with passive output in an elegant housing made of plastic, with snap-on lid, base with 4-hole attachment for installation on vertically or horizontally installed in-wall flush boxes, with predetermined breaking point for on-wall cable entry, specifically used for temperature detection in larger rooms. The room radiation temperature sensor RSTF determines the effective portion of active radiation or the effective radiant heat at the measured location. Due to the measuring method employed by the dark radiation temperature sensor, an excellent and room-representative measuring result is achieved. In addition there is an independent passive output available to determinate the reference temperature.

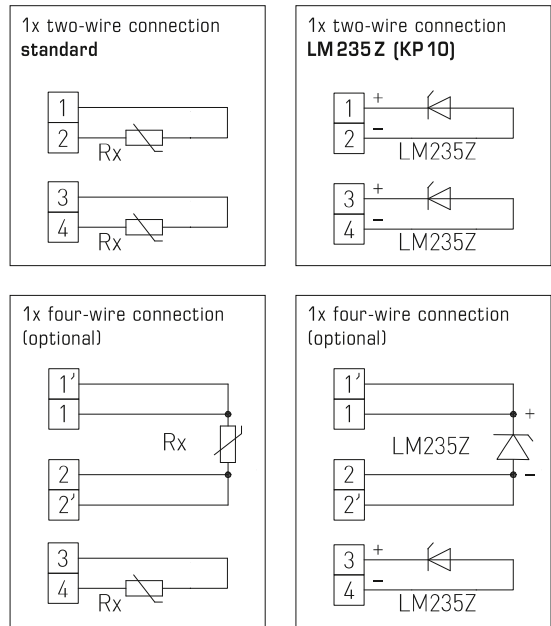


TECHNICAL DATA

Measuring range:	-30...+75 °C
Sensors / output:	see table, passive (optional also with two sensors)
Connection type:	2-wire connection (4-wire connection on PT100, optional on other sensors)
Testing current:	< 0.6 mA (Pt1000) < 1.0 mA (Pt100) < 0.3 mA (Ni1000, Ni1000 TK5000) < 2.0 mW (NTC xx) 400 µA...5 mA (LM235Z)
Insulating resistance:	≥100 MΩ, at +20 °C (500 V DC)
Process connection:	by screws
Housing:	plastic, material ABS Housing: pure white (similar to RAL 9010), Semi-globe: black
Dimensions:	85 x 85 x 27 (40) mm (Baldur 1)
Electrical connection:	0.14 - 1.5 mm ² , via terminal screws
Humidity:	< 95% r. H.
Protection class:	III (according to EN 60 730)
Protection type:	IP 30 (according to EN 60 529)



Terminals 3 and 4:
Sensor for reference temperature



THERMASGARD® RSTF Room radiation temperature sensors

Type / WG03	Sensor / Output	Item No.	Price
RSTF		IP30	
RSTF Pt100	Pt100 (according to DIN EN 60 751, class B)	1101-40C0-1003-000	65,89 €
RSTF Pt1000	Pt1000 (according to DIN EN 60 751, class B)	1101-40C0-5001-000	65,89 €
RSTF Ni1000	Ni1000 (according to DIN EN 43 760, class B, TCR = 6180 ppm / K)	1101-40C0-9001-000	68,31 €
RSTF NiTK	Ni1000 TK5000 (TCR = 5000 ppm / K), LG-Ni1000	1101-40C1-0001-000	70,24 €
RSTF LM235Z	LM235Z (TCR = 10 mV / K; 2.73 V at 0 °C), KP10	1101-40C2-1001-000	65,89 €
RSTF NTC1,8K	NTC 1.8K	1101-40C1-2001-000	69,52 €
RSTF NTC10K	NTC 10K	1101-40C1-5001-000	69,52 €
RSTF NTC20K	NTC 20K	1101-40C1-6001-000	69,52 €
Extra charge:	two or other sensors optional	on request	



**HVAC & BYGNINGS-
AUTOMATIK**

VORES PRODUKTSORTIMENT INKLUDERER:



PÅSPÆNDINGS- & PENDULFØLERE



TEMPERATURFØLERE



CO2- & VOCFØLERE



FROSTBESKYTTELSE



TEMPERATUR AKTIV



TEMPERATUR PASSIV

VI FØRER PRODUKTER INDENFOR KATEGORIERNE:



AUTOMATIK



ELVARME



KØLEPROFILER

NEWTRONIC

Ove Jensens Alle 35 F
DK-8700 Horsens
Denmark
www.newtronic.eu
www.newtronic.dk
+45 7669 7090