

TEMPERATUR PASSIV



UDEFØLERE

**Outside temperature sensors / wet room temperature sensors
with passive output**

Outside wall resistance thermometer / weather sensor **THERMASGARD® ATF 1** (internal sensor) with passive output, housing made of impact-resistant plastic and quick-locking screws.

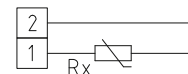
Outside wall resistance thermometer / weather sensor **THERMASGARD® ATF 01** (internal sensor) with passive output, housing made of impact-resistant plastic and snap-on lid.

It is used to measure outside temperatures, temperatures in wet room areas, e.g. as an outdoor sensor, weather sensor for installation on outside walls, in cold storage buildings and greenhouses, in halls, in the industrial sector and in agriculture. Installation in outdoor areas preferably at the north side of a building or in a protected place. In cases of direct solar irradiation, we recommend the use of our **WS01** or **WS04** sun protection hood (accessory).

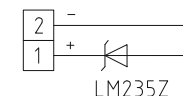
TECHNICAL DATA

Measuring range:	-50...+90 °C
Sensors / output:	passive (see table), sensors internal
Connection type:	2-wire connection (4-wire connection on PT100/PT1000A, optional on other sensors)
Testing current:	< 0.6 mA (Pt1000) < 1.0 mA (Pt100) < 0.3 mA (Ni1000, Ni1000 TK5000) < 2.0 mW (NTC xx) 400 µA...5 mA (LM235Z)
Housing:	plastic, UV-resistant, material polyamide, 30% glass-globe reinforced, colour traffic white (similar to RAL 9016), ATF01 with snap-on lid, ATF1 with quick-locking screws (slotted / Phillips head combination)
Housing dimensions:	72 x 64 x 37.8 mm (Tyr 1 / Tyr 01)
Cable connection:	cable gland , plastic (M 16 x 1.5; with strain relief, exchangeable, max. inner diameter 10.4 mm) or M12 connector according to DIN EN 61076-2-101
Electrical connection:	0.14 - 1.5 mm ² , via terminal screws
Insulating resistance:	≥ 100 MΩ, at +20 °C (500 V DC)
Humidity:	< 95% r. H., non-precipitating air
Protection class:	III (according to EN 60 730)
Protection type:	ATF01 IP54 (according to EN 60 529) Housing tested, TÜV SÜD, Report No. 713160960A (Tyr 01) ATF1 IP67 (according to EN 60 529) Housing tested, TÜV SÜD, Report No. 713139052 (Tyr 1)

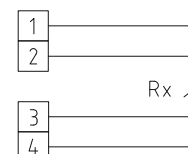
1x two-wire connection
standard



1x two-wire connection
LM235Z (KP 10)



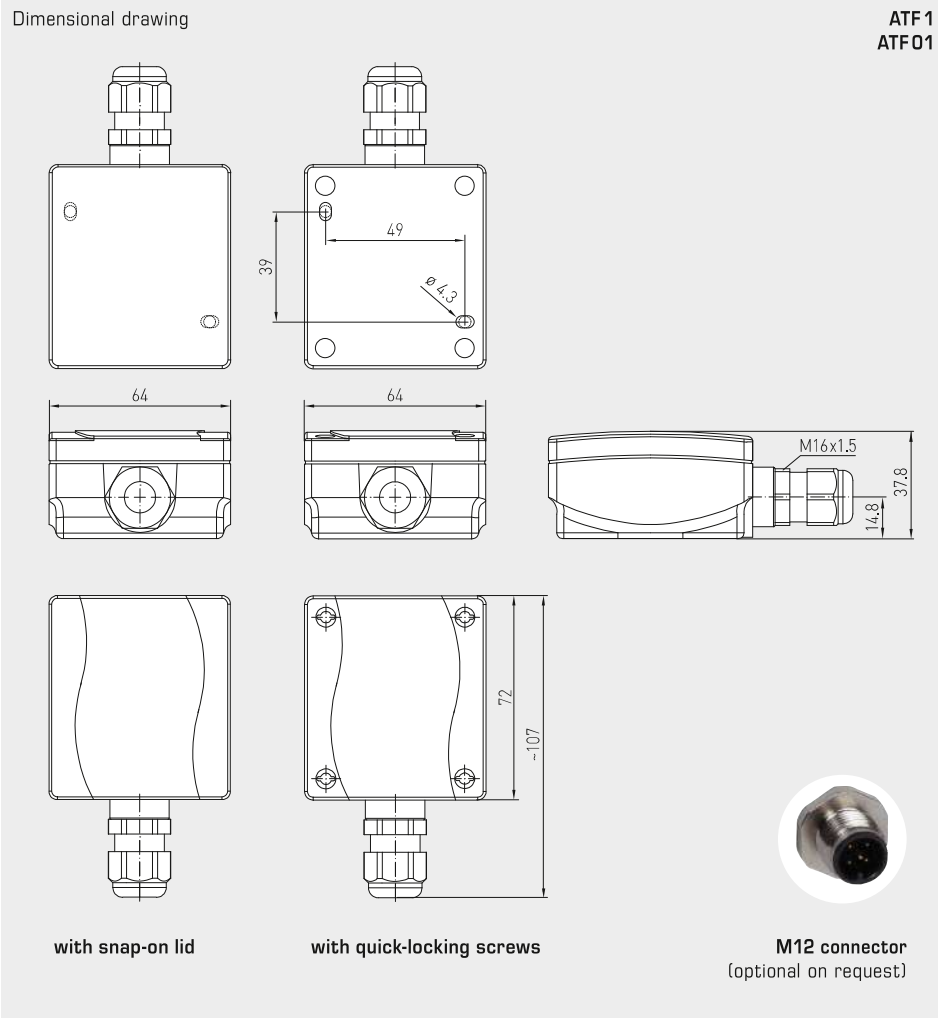
1x four-wire connection
(optional)



THERMASGARD® ATF 01 Outside temperature sensors / wet room temperature sensors, *Standard*
with snap-on lid

Type / WG03	Sensor / Output	Item No.	Price
ATF 01		IP54	
ATF01 Pt100	Pt100 (according to DIN EN 60 751, class B)	1101-1030-1003-000	14,56 €
ATF01 Pt1000	Pt1000 (according to DIN EN 60 751, class B)	1101-1030-5001-000	17,05 €
ATF01 Ni1000	Ni1000 (according to DIN EN 43 760, class B, TCR = 6180 ppm / K)	1101-1030-9001-000	17,81 €
ATF01 NiTK	Ni1000 TK5000 (TCR = 5000 ppm / K), LG-Ni1000	1101-1031-0001-000	20,67 €
ATF01 LM235Z	LM235Z (TCR = 10 mV / K; 2.73 V at 0 °C), KP10	1101-1032-1001-000	15,01 €
ATF01 NTC1,8K	NTC 1.8K	1101-1031-2001-000	13,83 €
ATF01 NTC10K	NTC 10K	1101-1031-5001-000	13,83 €
ATF01 NTC20K	NTC 20K	1101-1031-6001-000	13,83 €
Extra charge:	Other sensors optional Cable connection with M12 connector according to DIN EN 61076-2-101		on request on request
ACCESSORIES			
WS-01	Sun and ball-impact protection hood , 184 x 180 x 80 mm, stainless steel V2A (1.4301)	7100-0040-2000-000	30,26 €
WS-04	Weather and sun protection hood , 130 x 180 x 135 mm, stainless steel V2A (1.4301)	7100-0040-7000-000	35,70 €

For further information see last chapter!



ATF 01
with snap-on lid
(IP54)



ATF 1
with quick-locking screws
(IP67)



THERMASGARD® ATF 1 Outside temperature sensors / wet room temperature sensors, *Premium*
with quick-locking screws

Type / WG03	Sensor / Output	Item No.	Price
ATF 1		IP67	
ATF1 Pt100	Pt100 (according to DIN EN 60 751, class B)	1101-1040-1003-000	16,83 €
ATF1 Pt1000	Pt1000 (according to DIN EN 60 751, class B)	1101-1040-5001-000	19,31 €
ATF1 Pt1000A	Pt1000 (according to VDI / VDE 3512, class A-TGA)	1101-1040-6003-000	22,58 €
ATF1 Ni1000	Ni1000 (according to DIN EN 43 760, class B, TCR = 6180 ppm / K)	1101-1040-9001-000	18,86 €
ATF1 NiTK	Ni1000 TK5000 (TCR = 5000 ppm / K), LG-Ni1000	1101-1041-0001-000	22,93 €
ATF1 LM235Z	LM235Z (TCR = 10 mV / K; 2.73 V at 0 °C), KP10	1101-1042-1001-000	17,27 €
ATF1 NTC1,8K	NTC 1.8K	1101-1041-2001-000	15,36 €
ATF1 NTC10K	NTC 10K	1101-1041-5001-000	15,36 €
ATF1 NTC20K	NTC 20K	1101-1041-6001-000	15,36 €
Extra charge::	Other sensors optional Cable connection with M12 connector according to DIN EN 61076-2-101	on request on request	
ACCESSORIES			
WS-01	Sun and ball-impact protection hood , 184 x 180 x 80 mm, stainless steel V2A (1.4301)	7100-0040-2000-000	30,26 €
WS-04	Weather and sun protection hood , 130 x 180 x 135 mm, stainless steel V2A (1.4301)	7100-0040-7000-000	35,70 €

For further information see last chapter!

**Outside temperature sensors / wet room temperature sensors
with passive output**

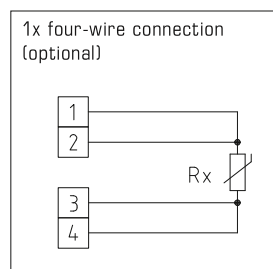
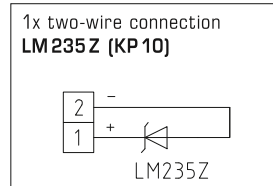
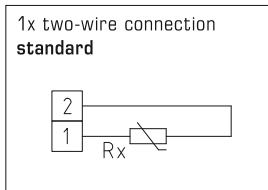
Outside wall resistance thermometers / weather sensors **THERMASGARD® ATF 2** (external sensor) with passive output and housing made of impact-resistant plastic and with quick-locking screws.

It is used to measure outside temperatures, temperatures in wet room areas, e.g. as a weather sensor, for installation on outside walls, in cold storage buildings and greenhouses, in halls, in the industrial sector and in agriculture. Outdoor installation should preferably be performed at the north side of a building or in a protected place.

In cases of direct solar irradiation, we recommend the use of our **WS01** or **WS04** sun protection hood (accessory) or the device version with installed sun protection hood **SS02** (available upon request).

TECHNICAL DATA

Measuring range:	-50...+90 °C
Sensors / output:	passive (see table), sensor inside external sensor tube, stainless steel V4A (1.4571) (Perfect Sensor Protection)
Connection type:	2-wire connection (4-wire connection on PT100/PT1000A, optional on other sensors)
Testing current:	< 0.6 mA (Pt1000) < 1.0 mA (Pt100) < 0.3 mA (Ni1000, Ni1000 TK5000) < 2.0 mW (NTC xx) 400 µA...5 mA (LM235Z)
Housing:	plastic, UV-resistant, material polyamide, 30 % glass-globe reinforced, with quick-locking screws (slotted / Phillips head combination), colour traffic white (similar to RAL 9016)
Housing dimensions:	72 x 64 x 37.8 mm (Tyr 1)
Cable connection:	cable gland , plastic (M 16 x 1.5; with strain relief, exchangeable, max. inner diameter 10.4 mm) or M12 connector according to DIN EN 61076-2-101
Electrical connection:	0.14 - 1.5 mm ² via terminal screws
Insulating resistance:	≥ 100 MΩ, at +20 °C (500 V DC)
Permissible humidity:	< 95 % r. H., non-precipitating air
Protection class:	III (according to EN 60 730)
Protection type:	IP65 (according to EN 60 529) Housing tested, TÜV SÜD, Report No. 713139052 (Tyr 1)
Optional:	with sun protection hood SS02 (available on request)

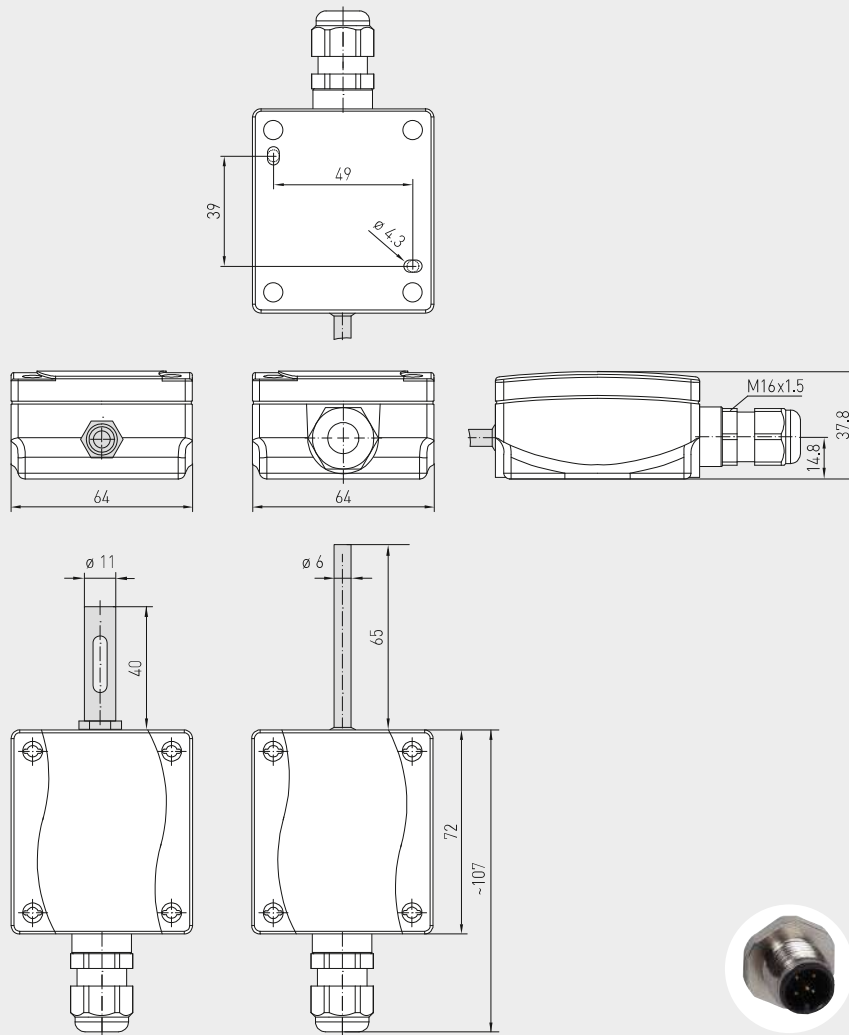


High-performance encapsulation against
vibration, mechanical stress and humidity



Dimensional drawing

ATF 2



with SS-02

without SS-02

M12 connector
(optional on request)



ATF 2



ATF 2
with SS-02

THERMASGARD® ATF 2 Outside temperature sensors / wet room temperature sensors

Type / WG03	Sensor / Output	Item No.	Price
ATF 2			
ATF2 Pt100	Pt100 (according to DIN EN 60 751, class B)	1101-1050-1003-000	36,70 €
ATF2 Pt1000	Pt1000 (according to DIN EN 60 751, class B)	1101-1050-5001-000	36,70 €
ATF2 Pt1000A	Pt1000 (according to VDI/VDE 3512, class A-TGA)	1101-1050-6003-000	45,58 €
ATF2 Ni1000	Ni1000 (according to DIN EN 43 760, class B, TCR = 6180 ppm / K)	1101-1050-9001-000	38,85 €
ATF2 NiTK	Ni1000 TK5000 (TCR = 5000 ppm / K), LG-Ni1000	1101-1051-0001-000	38,85 €
ATF2 LM235Z	LM235Z (TCR = 10 mV / K; 2.73 V at 0 °C), KP10	1101-1052-1001-000	36,14 €
ATF2 NTC1,8K	NTC 1.8K	1101-1051-2001-000	35,40 €
ATF2 NTC10K	NTC 10K	1101-1051-5001-000	35,40 €
ATF2 NTC20K	NTC 20K	1101-1051-6001-000	35,40 €
Extra charge:	Other sensors optional with sun protection hood SS02 Cable connection with M12 connector according to DIN EN 61076-2-101	on request on request on request	9,28 €
ACCESSORIES			
WS-01	Sun and ball-impact protection hood , 184 x 180 x 80 mm, stainless steel V2A (1.4301)	7100-0040-2000-000	30,26 €
WS-04	Weather and sun protection hood , 130 x 180 x 135 mm, stainless steel V2A (1.4301)	7100-0040-7000-000	35,70 €

For further information see last chapter!



**HVAC & BYGNINGS-
AUTOMATIK**



VORES PRODUKTSORTIMENT INKLUDERER:



TEMP. AKTIV - UDEFØLERE



TRÅDLØS - UDEFØLERE



POWER IO



TILBEHØR



TEMPERATUR AKTIV



TEMPERATUR PASSIV

VI FØRER PRODUKTER INDENFOR KATEGORIERNE:



AUTOMATIK



ELVARME



KØLEPROFILER



NEWTRONIC

Ove Jensens Alle 35 F
DK-8700 Horsens
Denmark
www.newtronic.eu
www.newtronic.dk
+45 7669 7090

