

TEMPERATURCONTROLLERE



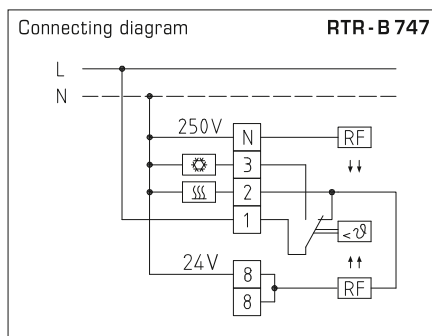
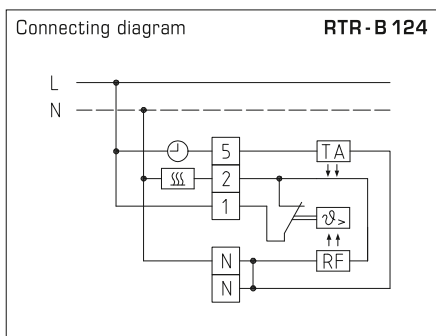
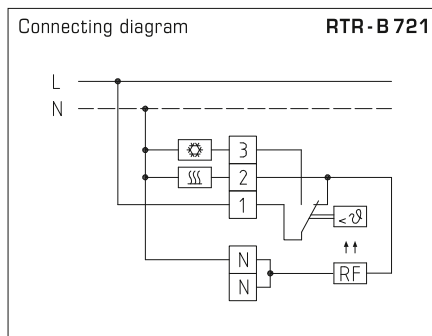
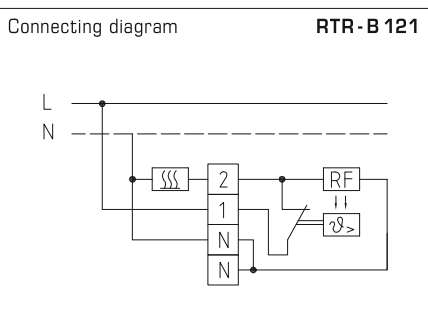
RUMFØLERE

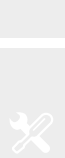
Room temperature controllers, mechanical, on-wall

One-step mechanical single room controller **THERMASREG® RTR-B** in bi-metal technology with thermal feedback for monitoring or controlling temperatures in dry rooms, or for activating any kind of heating system as room thermostat. For currentless open radiator valves, the cooling output from the changeover contact (normally open contact) must be connected. At breaker contacts, a maximum of 10 valve actuators can be connected and at normally open contacts a maximum of 5 valve actuators.

TECHNICAL DATA

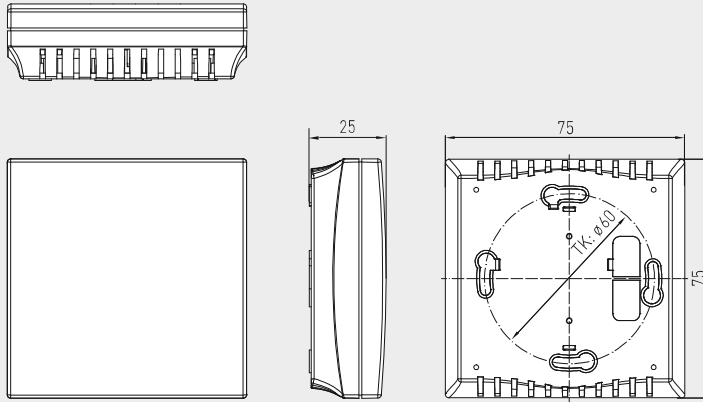
Switching capacity: (Contact load)	230 V AC, 50 - 60 Hz heating: 10 mA...10 (4) A, DC 30 W cooling: 10 mA...5 (2) A
Sensor element:	bi-metal
Control range:	+5...+30 °C
Output:	breaker or changeover contact
Operating difference:	approx. 0.5 K
Housing:	plastic, material ABS, colour pure white (similar to RAL 9010)
Dimensions:	75 x 75 x 25 mm (E1)
Electrical connection:	0.14 - 2.5 mm ² via terminal screws
Installation:	wall mounting or on in-wall flush box Ø55 mm, base with 4-hole for mounting on vertically or horizontally installed in-wall flush boxes for cable entry from the back, with predetermined breaking point for on-wall cable entry from top / bottom in case of plain on-wall installation
Protection class:	II (according to EN 60 730)
Protection type:	IP 30 (according to EN 60529)
Standards:	CE conformity, EMC directive 2014 / 30 / EU, low-voltage directive 2014 / 35 / EU





Dimensional drawing

Housing E1
(Picture similar)

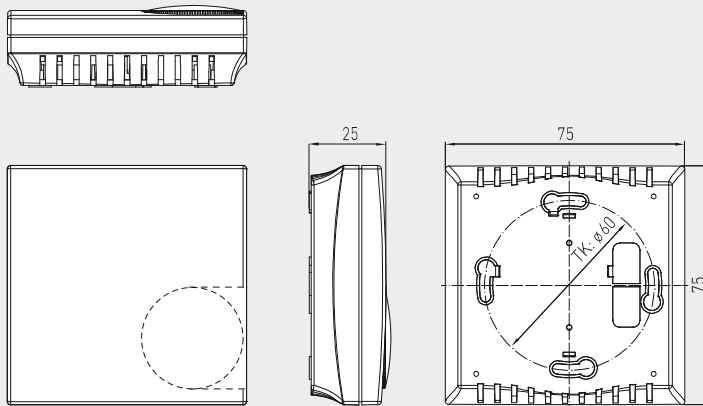


RTR-B 747
with internal setting



Dimensional drawing

Housing E1
with one potentiometer
(Picture similar)



RTR-B 121
RTR-B 124
RTR-B 721
with external setting



THERMASREG® RTR-B Room temperature controllers

Type/WG01	Temperature Range	Function	Output	Item No.	Price
RTR-B 121 / B 124 / B 721				External setting	
RTR-B 121	+5...+30 °C	Heating	Breaker	1102-4011-2100-000	32,72 €
RTR-B 124	+5...+30 °C	Heating, temperature reduction -5 K	Breaker	1102-4011-2400-000	34,58 €
RTR-B 721	+5...+30 °C	Heating, cooling	Changeover contact	1102-4017-2100-000	36,01 €
RTR-B 747				Internal setting	
RTR-B 747	+5...+30 °C	Heating, cooling	Changeover contact	1102-4017-4700-000	39,28 €

Room temperature controllers, continuous, on-wall, general

Electronic room temperature controllers, climate controllers **THERMASREG® RTR-S** for monitoring or controlling temperatures with output 0 - 10V for heating and cooling, optional as continuous climate controller with manual ventilator speed regulation, setpoint adjustment, and LED status indicators. Application in dry individual rooms heated or cooled by radiators, cooling ceilings, or ventilation, or air conditioning systems, or as remote control unit for air conditioners, e.g. in hotels, offices, or hospitals or as room thermostat.

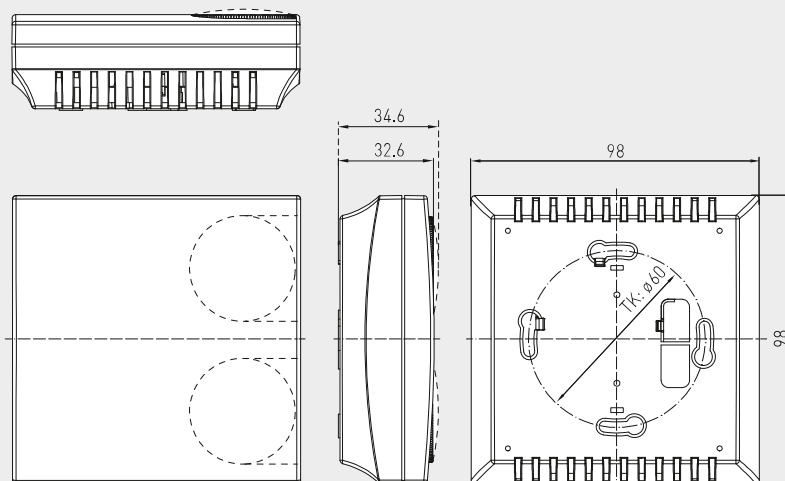
TECHNICAL DATA

Power supply:	24 V AC / DC (± 10 %)
Temperature sensor:	internal or external (selectable via jumper) Pt 1000 according to DIN EN 60751, class B
Control range:	+5...+30 °C, adjustable via setpoint potentiometer with numerical scale or +21 °C (± 8 K), adjustable via setpoint potentiometer with swelling arrow (central position / + / -)
Output:	1 x heating, 1 x cooling, 0 - 10V or 10 - 0V repluggable, max. 5 mA
Proportional band:	internally adjustable via potentiometer heating +0.5...+3 K (1 K factory setting) cooling +0.5...+3 K (2 K factory setting)
Neutral zone:	internally adjustable via potentiometer, +1...+5 K (1K factory setting)
Control mode:	PI
Housing:	plastic, material ABS, colour pure white (similar to RAL 9010)
Dimensions:	98 x 98 x 33 mm (Baldur 2)
Installation:	wall mounting or on in-wall flush box Ø55 mm, base with 4-hole for mounting on vertically or horizontally installed in-wall flush boxes for cable entry from the back, with predetermined breaking point for on-wall cable entry from top/bottom in case of plain on-wall installation
Electrical connection:	0.14 - 2.5 mm ² via terminal screws
Humidity:	max. 90 % r. H., non-precipitating air
Protection class:	III (according to EN 60730)
Protection type:	IP 30 (according to EN 60529)
Standards:	CE conformity, electromagnetic compatibility according to EN 61326, EMC directive 2014/30/EU

Dimensional drawing

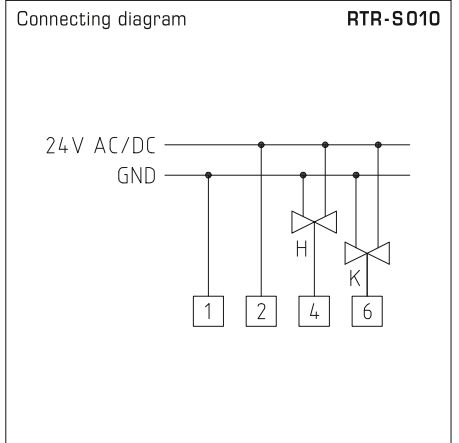
Housing **Baldur 2**

(one or two potentiometers possible)





RTR-S010
(BalduR2)
Continuous room temperature controller for 2-channel single room control

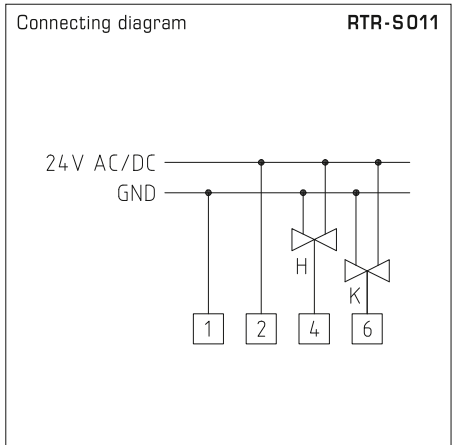


THERMASREG® RTR-S010 Room temperature controller

Type / WG01	Sensor internal / external	Output Heating	Output Cooling	Item No.	Price
RTR-S010				External setting	
RTR-S 010	Pt1000	0 - 10V	0 - 10V	1102-40B0-1000-000	172,48 €
Features:	+5...+30 °C, via setpoint device, numerical scale				



RTR-S011
(BalduR2)
Continuous room temperature controller for 2-channel single room control



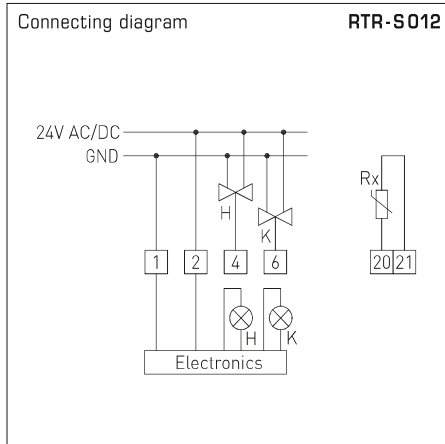
THERMASREG® RTR-S011 Room temperature controller

Type / WG01	Sensor internal / external	Output Heating	Output Cooling	Item No.	Price
RTR-S011				External setting	
RTR-S 011	Pt1000	0 - 10V	0 - 10V	1102-40B0-1100-000	172,48 €
Features:	+21 °C (± 8K), via setpoint device, swelling arrow (central position / + / -)				

Room temperature controllers, continuous, on-wall, different versions



RTR-S 012
(Baldur 2)
Continuous room temperature controller for 2-channel single room control, with LED operating mode indicator

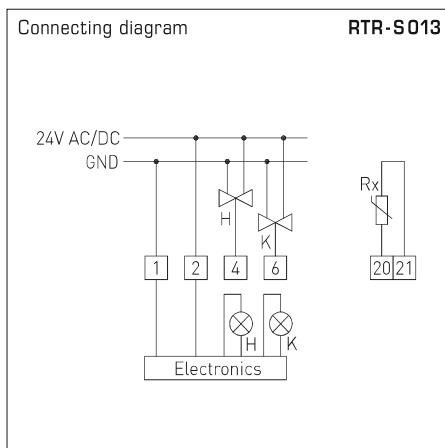


THERMASREG® RTR-S012 Room temperature controller

Type / WG01	Sensor internal / external	Output Heating	Output Cooling	Item No.	Price
RTR-S012				External setting	
RTR-S 012	Pt1000	0 - 10V	0 - 10V	1102-4080-1200-000	179,81 €
Features:	+5...+30 °C, via setpoint device, numerical scale, LED red: operating mode heating, LED blue: operating mode cooling				



RTR-S 013
(Baldur 2)
Continuous room temperature controller for 2-channel single room control, with LED operating mode indicator



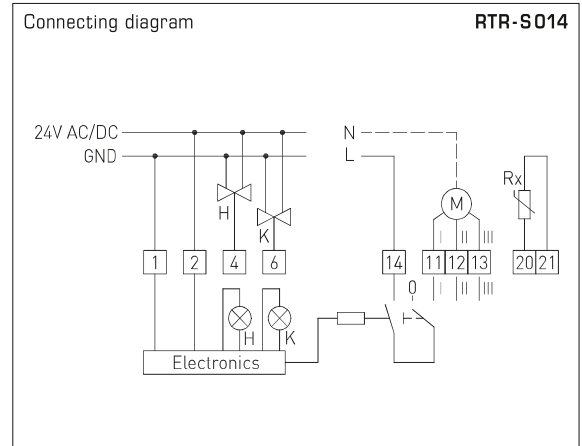
THERMASREG® RTR-S013 Room temperature controller

Type / WG01	Sensor internal / external	Output Heating	Output Cooling	Item No.	Price
RTR-S013				External setting	
RTR-S 013	Pt1000	0 - 10V	0 - 10V	1102-4080-1300-000	179,81 €
Features:	+21 °C (±8K) via setpoint device, swelling arrow (central position / + / -), LED red: operating mode heating, LED blue: operating mode cooling				



RTR-S014
(BalduR2)

Continuous room temperature controller for 2-channel single room control with LED operating mode indicator and 3-speed selector switch for ventilators



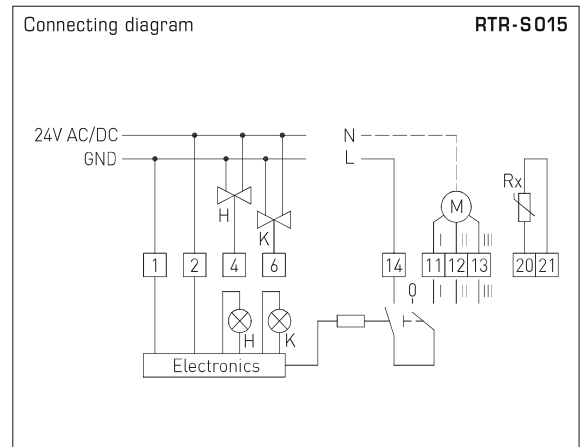
THERMASREG® RTR-S014 Room temperature controller

Type / WG01	Sensor internal / external	Output Heating	Output Cooling	Item No.	Price
RTR-S014				External setting	
RTR-S 014	Pt1000	0 - 10 V	0 - 10 V	1102-40B0-1400-000	187,15 €
Features: +5...+30 °C, via setpoint device, numerical scale, internal / external sensor selectable LED red: operating mode heating, LED blue: operating mode cooling, 4-step turn switch for ventilator speed (0 / I / II / III)					



RTR-S015
(BalduR2)

Continuous room temperature controller for 2-channel single room control with LED operating mode indicator and 3-speed selector switch for ventilators



THERMASREG® RTR-S015 Room temperature controller

Type / WG01	Sensor internal / external	Output Heating	Output Cooling	Item No.	Price
RTR-S015				External setting	
RTR-S 015	Pt1000	0 - 10 V	0 - 10 V	1102-40B0-1500-000	187,15 €
Features: +21 °C (±8 K) via setpoint device, swelling arrow (central position / + / -), LED red: operating mode heating, LED blue: operating mode cooling, 4-step turn switch for ventilator speed (0 / I / II / III)					

Room temperature controllers,
in-wall, general

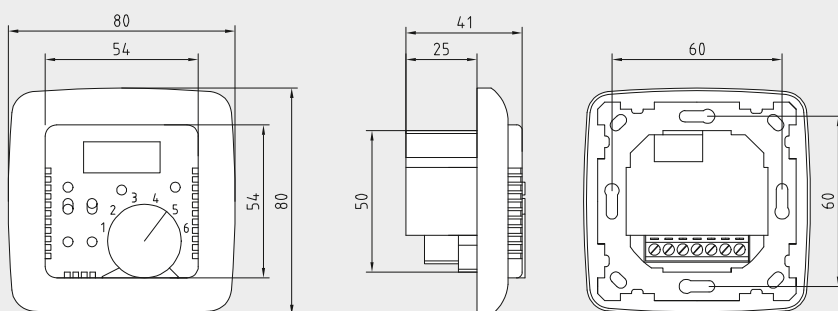
Electronic single-room controllers / clock thermostats with week program **THERMASREG® RTR-E-UP** with internal sensor or 4-meter remote sensor for in-wall installation suitable for temperature monitoring and control, for activating any kind of heating system and valves (closed when currentless), as room temperature controller, room thermostat, floor temperature controller, or clock controller, e. g. for electric floor direct heating systems, for bathrooms, for night storage, wall, ceiling and gas heating systems.

TECHNICAL DATA

Power supply:	230 V AC, 50 Hz
Temperature sensor:	NTC according to DIN 44574, sensor extension up to max. 50 m, with double insulation according to EN 60730-2-1
Control range:	see table +15...+30 °C for room temperature controllers +10...+60 °C for floor temperature controllers +15...+30 °C and +20...+60 °C for combined controllers
Accuracy:	typically ± 5 %
Output:	1x normally open contact (single ended)
Switching capacity:	3.6 kW
Switching current: (Contact load)	16 A (ohmic load)
Safety:	with sensor breakage and sensor short circuit protection (in case of sensor breakage or sensor short circuit heating is switched of)
Operating difference:	approx. 0.6 K
Housing:	plastic, colour pure white (similar RAL 9010)
Dimensions:	80 x 80 x 16 mm
Electrical connection:	0.14 - 2.5 mm ² via terminal screws
Temperature range limitation:	in the turning knob
Installation:	in in-wall flush box Ø = 55 mm
Protection class:	II (according to EN 60 730)
Protection type:	IP 30 (according to EN 60 529)
Standards:	CE conformity, electromagnetic compatibility according to EN 61 326, EMC directive 2014 / 30 / EU, low-voltage directive 2014 / 35 / EU

Dimensional drawing

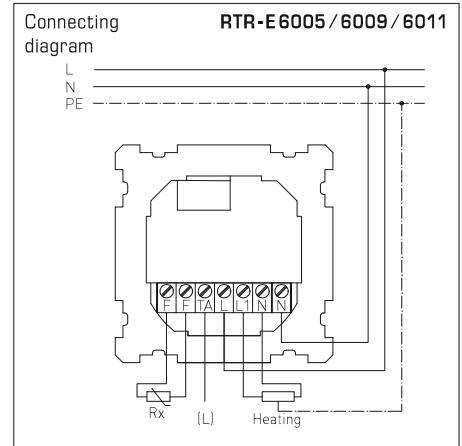
RTR-E-UP





RTR-E 6005
RTR-E 6009
RTR-E 6011

Room temperature controller
for single room control
with LED operating mode indicator



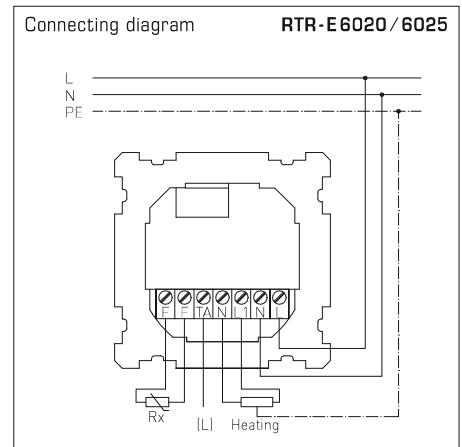
THERMASREG® RTR - E 6005 / 6009 / 6011 Room temperature controllers

Type / WG01	Temperature Range	Sensor	Function Heating	Item No.	Price
RTR-E 6005 / 6009 / 6011				IP30	
RTR-E 6005	+5...+30 °C	Room sensor, Sensor Internal	Room temperature controller	1102-5010-0050-000	121,86 €
RTR-E 6009	+10...+60 °C	with remote sensor (L = 4 m)	Floor temperature controller	1102-5010-0090-000	123,06 €
RTR-E 6011	+5...+30 °C / +20...+60 °C	Room sensor, Sensor Internal, with remote sensor (L = 4 m)	Room temperature controller and floor temperature monitor (combined controller)	1102-5010-0110-000	144,89 €
Features:	with night temperature setback, main switch, and LED operating mode indicator				



RTR-E 6020
RTR-E 6025

Room temperature controller
for single room control
with LED operating mode indicator,
LC display, and clock



THERMASREG® RTR - E 6020 / 6025 Room temperature controllers

Type / WG01	Temperature Range	Sensor	Function Heating	Item No.	Price
RTR-E 6005 / 6009 / 6011				IP30	
RTR-E 6020	+5...+30 °C	Room sensor, Sensor Internal	Room temperature controller with clock	1102-5010-0200-000	173,99 €
RTR-E 6025	+10...+60 °C	with remote sensor (L = 4 m)	Floor temperature controller with clock	1102-5010-0250-000	185,62 €
Features:	with week programme, main switch, party switch, LC display, and LED operating mode indicator				



**HVAC & BYGNINGS-
AUTOMATIK**

VORES PRODUKTSORTIMENT INKLUDERER:



TEMP. AKTIV - RUMFØLERE



CO2- & VOCFØLERE



POWER IO



TILBEHØR



TEMPERATURCONTROLLERE



MODBUS/BACNET

VI FØRER PRODUKTER INDENFOR KATEGORIERNE:



AUTOMATIK



ELVARME



KØLEPROFILER

NEWTRONIC

Ove Jensens Alle 35 F
DK-8700 Horsens
Denmark
www.newtronic.eu
www.newtronic.dk
+45 7669 7090