

TRÅDLØS



UDEFØLERE

**Multifunctional outside radio sensor
for humidity, temperature and light intensity,
with solar cell**

The multifunctional outside sensor **KYMASGARD® AFTF-HK-FSE** is a maintenance-free radio transmitter without battery for on-wall installation. Energy is generated by converting outdoor light into electric energy by means of a solar generator. It is used to detect the outside temperature, outdoor humidity and outdoor light intensity and to transmit the measurands via radio signal to radio actuators and radio receivers/gateways.

AFTF-HK-FSE



TECHNICAL DATA

Operation:	Energy generation by solar cell, batteryless, maintenance-free
Radio technology:	EnOcean protocol, modulation ASK, 868 MHz, transmission power max. 10 mW, telegram type 4BS
Channels:	1 temperature, 1 humidity, 1 light intensity
Radio transmitter module:	EnOcean Dolphin
Measurand acquisition:	adjustable, every 1s / 10s / 100s
Transmission interval:	adjustable, typically every 100 seconds, or at any measuring value change, status telegram approximately every 16 minutes
Range of coverage:	Indoors typically 30-100m, outdoors up to 300m

HUMIDITY

Operating range, humidity:	0...100% r. H.
Deviation in humidity:	typically $\pm 2.0\%$ (20...80% r. H.) at +25 °C, otherwise $\pm 3.0\%$

TEMPERATURE

Operating range, temperature:	-20...+60 °C
Deviation in temperature:	typically $\pm 0.2\text{K}$ at +25 °C

LIGHT INTENSITY

Light intensity operating range:	Multi-range switching 0...2000 Lux / 0...60 kLux
Deviation in light intensity:	typically < 5% of final value
Housing:	Plastic, UV-resistant, polyamide material, 30% glass-globe reinforced, with quick-locking screws (slotted / Phillips head combination), traffic white colour (similar to RAL 9016), housing cover is transparent!

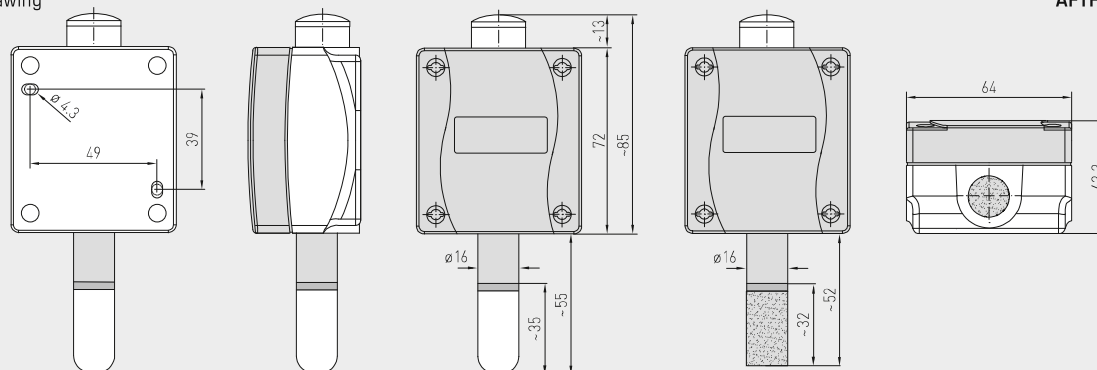
Housing dimensions:	72 x 64 x 43.3 mm (Tyr 1)
Protective tube:	made of stainless steel V2A (1.4301), $\varnothing = 16\text{ mm}$, NL = 55 mm
Sensor protection:	plastic sinter filter, $\varnothing 16\text{ mm}$, L = 35 mm, exchangeable (optional metal sinter filter, $\varnothing 16\text{ mm}$, L = 32 mm)
Ambient temperature:	-25...+60 °C
Storage temperature:	-25...+60 °C
Permitted humidity:	0...90% r.H., non-precipitating air
Protection class:	III (according to EN 60 730)
Protection type:	IP 65 (according to EN 60 529) Housing tested, TÜV SÜD, Report No. 713139052 (Tyr 1)
Standards:	CE conformity according to EMC Directive 2014 / 30 / EU and according to R&TTE Directive 2014 / 53 / EU

SF-M

Metal sinter filter (optional)



Dimensional drawing



AFTF-HK-FSE

KYMASGARD® AFTF-HK-FSE Outside radio sensor for humidity, temperature and light intensity

Type / WG02	Channels	Measuring ranges			Item no.	Price
		Temperature	Humidity	Light intensity		
AFTF-HK-FSE				(switchable)		
AFTF-HK-FSE	3	-20...+60 °C	0...100% r.H.	0...2000 Lux / 0...60 kLux	1801-1140-1000-000	262,53 €
Compatibility	For an overview, see the start of the chapter					



Multifunctional outside radio sensor
for wind strength and light intensity,
with solar cell

The multifunctional outside radio sensor **KYMASGARD® AWSF-HK-FSE** is a maintenance-free radio sensor without battery for on-wall installation. Energy is generated by converting outdoor light into electric energy by means of a solar generator. It is used to detect the wind speed and outdoor light intensity and to transmit to the measurands via radio signal to radio actuators and radio receivers / gateways.

AWSF-HK-FSE

**TECHNICAL DATA**

Operation:	Energy generation by solar cell, batteryless, maintenance-free
Radio technology:	EnOcean protocol, modulation ASK, 868 MHz, transmission power max. 10 mW, telegram type 4BS
Channels:	1 wind speed, 1 light intensity
Radio transmitter module:	EnOcean Dolphin
Measurand acquisition:	adjustable, 1s / 10 s / 100 s and on event
Transmission interval:	adjustable, typically every 100 seconds at any measuring value change, status telegram approximately every 16 minutes
Range of coverage:	Indoors typically 30 - 100 m, outdoors up to 300 m

WIND STRENGTH

Wind operating range:	0...100 km/h
Wind deviation:	typically ± 5 km/h

LIGHT INTENSITY

Light intensity operating range:	Multi-range switching 0...2000 Lux / 0...60 kLux
Deviation in light intensity:	typically < 5% of final value
Housing:	plastic, PC material, UV-resistant light grey colour (similar to RAL 7035)
Housing dimensions:	approx. 200 x 50 x 50 mm
Mounting:	Wall-mounted via screws, on-wall
Ambient temperature:	-25...+60 °C
Storage temperature:	-25...+60 °C
Permitted humidity:	0...90% r.H., non-precipitating air
Protection class:	III (according to EN 60 730)
Protection type:	IP 54 (according to EN 60 529)
Standards:	CE conformity according to EMC Directive 2014 / 30 / EU and according to R&TTE Directive 2014 / 53 / EU

KYMASGARD® AWSF-HK-FSE Outside radio sensor for wind strength and light intensity

Type / WG02	Channels	Measuring ranges	Item no.	Price
		Wind strength		
		Light intensity		
AWSF-HK-FSE		(switchable)		
AWSF-HK-FSE	2	0...100 km/h 0...2000 Lux / 0...60 kLux	1801-1150-5000-000	328,07 €
Compatibility	For an overview, see the start of the chapter			



HVAC & BYGNINGS-
AUTOMATIK

VORES PRODUKTSORTIMENT INKLUDERER:



TEMP. AKTIV - UDEFØLERE



TEMP. PASSIV - UDEFØLERE



FUGT - UDEFØLERE



TILBEHØR



TRÅDLØS



TEMPERATURCONTROLLERE

VI FØRER PRODUKTER INDENFOR KATEGORIERNE:



AUTOMATIK



ELVARME



KØLEPROFILER

NEWTRONIC

Ove Jensens Alle 35 F
DK-8700 Horsens
Denmark
www.newtronic.eu
www.newtronic.dk
+45 7669 7090