

TRYK



**TRYKTRANSMITTER
VÆSKE**

Pressure measuring transducers, incl. DIN plug-in connectors, with active output

The pressure sensor **PREMASGARD® SHD-SD** is used for measuring relative pressures (min. 0...6 bar / max. 0...16 bar) in gaseous and liquid media. **Not suitable for ammonia and freon!**

The pressure sensor **PREMASGARD® SHD** is used for measuring relative pressures (min. 0...1 bar / max. 0...40 bar) in gaseous and liquid media. The pressure measuring cell is welded to the pressure sensors without a gasket.

The pressure measuring transducer converts the measurand into a standard signal of 0-10V or 4...20mA. Process connection is G 1/2". This pressure transmitter is used in hydraulics, pneumatics, process technology, in mechanical and plant engineering.

SHD xx
with display
(optional)



TECHNICAL DATA

Power supply:	24 V AC/DC for output 0-10V 7-33V DC for output 4...20mA
Measuring ranges:	see table (other ranges upon request)
Output:	0-10V, 3-wire, (working resistance > 10 kOhm) or 4...20mA, 2-wire, (working resistance < (UB (V)-7V)/0,02A; R _L depending on working resistance
Electrical connection:	0.25 - 1.5 mm ² , via plug-in connector DIN EN 175301-803-A (included in the scope of delivery)
Pressure connection:	G 1/2" sealing at the back, and manometer (combined) with profile gasket FPM, special WW G 1/4" DIN 3852
Type of pressure:	relative
Medium:	liquid and gaseous
Response time:	2 ms (1 ms typical)
Characteristic line:	± 0.3%
Mounting:	directly on pressure line
Housing:	stainless steel V2A (1.4305)
Connecting head:	plastic, approx. 98 x 50 x 34 mm

SHD-SD

Measuring principle:	ceramic measuring cell
Temperature of medium:	-15...+125 °C
Medium contacting parts:	stainless steel V2A (1.4305); measuring element ceramic Al ₂ O ₃ (96%); sealing material FPM (Viton)
Load changes:	< 100 Hz
Overload range / Bursting pressure:	< 4 bar: 3 x FS > 4 bar: 2.5 x FS

SHD

Measuring principle:	steel measuring cell
Temperature of medium:	-40...+135 °C
Medium contacting parts:	stainless steel V2A (1.4305)
Overload range:	< 6 bar: 5 x of final valu > 6 bar: 3 x of final valu (max. 1500 bar)
Bursting pressure:	< 6 bar: 10 x of final valu > 6 bar: 6 x of final valu (max. 2500 bar)
Protection class:	III (according to EN 60 730)
Protection type:	IP 65 (according to EN 60 529)
Standards:	CE conformity, electromagnetic compatibility according to EN 61 326, EMC directive 2014 / 30 / EU
Tests:	Drinking water approval according to NSF/ANSI 61/372, UL-certified according to ANSI/UL 61010-1

ACCESSORIES

Display module, made of plastic, polyamide material, black colour, extra height: approx. 73 mm, pluggable, **factory-calibrated and configured**, for displaying the differential pressure (in bar, other units available upon request)

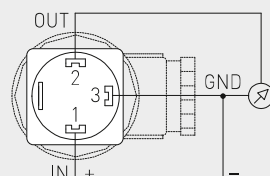
Display module
(Accessories)



Connecting diagram

SHD xx-U

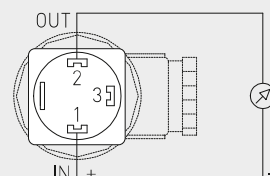
- 2 Output pressure 0-10V
- 3 GND
- 1 Supply voltage UB+ 24V AC/DC

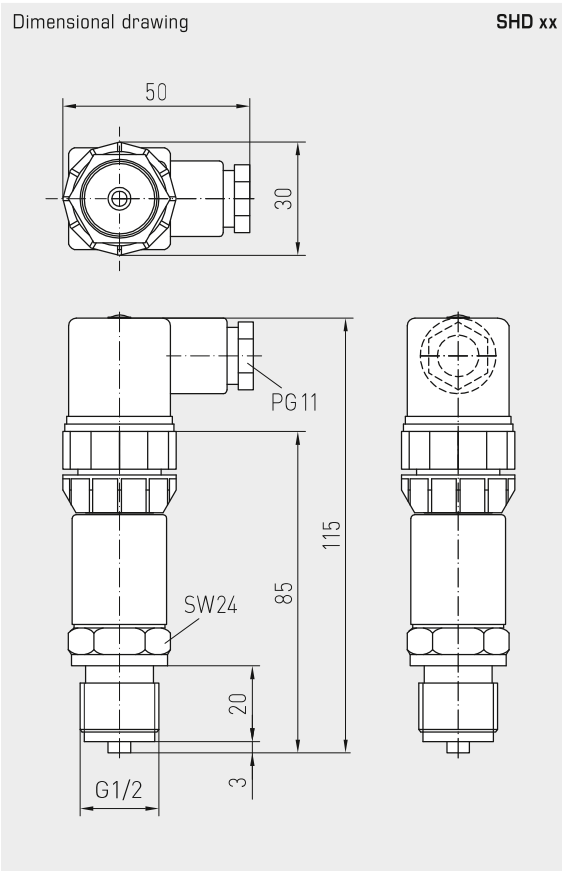


Connecting diagram

SHD xx-I

- 2 Output pressure 4...20mA
- 3 Free
- 1 Supply voltage UB+ 24V DC





SHD xx
without display
(standard)



PREMASGARD® SHD - SD Pressure measuring transducer, *Standard* or gaseous and liquid media

Measuring Range	Type / WG01	Item No.	Type / WG01	Item No.	Price
	SHD-SD-U	U-variant	SHD-SD-I	I-variant	
0... 6 bar	SHD-SD-U 6	1301-2121-0550-120	SHD-SD-I 6	1301-2122-0550-000	123,67 €
0...10 bar	SHD-SD-U 10	1301-2121-0560-120	SHD-SD-I 10	1301-2122-0560-000	123,67 €
0...16 bar	SHD-SD-U 16	1301-2121-0570-120	SHD-SD-I 16	1301-2122-0570-000	123,67 €
Note:	Not suitable for ammonia and freon!				

PREMASGARD® SHD Pressure measuring transducer, *Premium* for gaseous and liquid media

Measuring Range	Type / WG01	Item No.	Type / WG01	Item No.	Price
	SHD-U	U-variant	SHD-I	I-variant	
0... 1 bar	SHD-U 1	1301-2111-0520-220	SHD-I 1	1301-2112-0520-120	204,29 €
0...2,5 bar	SHD-U 2,5	1301-2111-0530-220	SHD-I 2,5	1301-2112-0530-120	204,29 €
0... 6 bar	SHD-U 6	1301-2111-0550-220	SHD-I 6	1301-2112-0550-120	147,91 €
0... 10 bar	SHD-U 10	1301-2111-0560-220	SHD-I 10	1301-2112-0560-120	147,91 €
0... 16 bar	SHD-U 16	1301-2111-0570-220	SHD-I 16	1301-2112-0570-120	147,91 €
0... 25 bar	SHD-U 25	1301-2111-0580-220	SHD-I 25	1301-2112-0580-120	204,29 €
0... 40 bar	SHD-U 40	1301-2111-0590-220	SHD-I 40	1301-2112-0590-120	204,29 €

ACCESSORIES

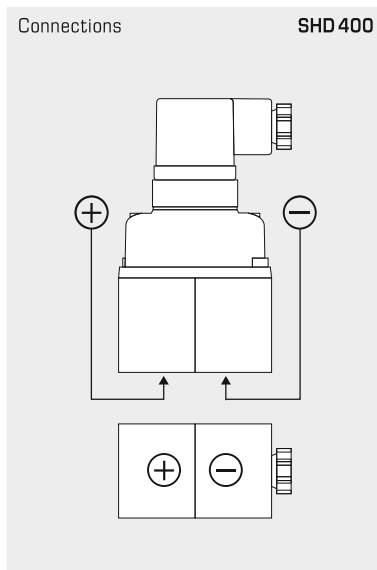
LCD-SHD	Display module , factory-calibrated and configured, pluggable, LCD display rotatable and tiltable (in bar, other units available upon request)	Extra charge	262,02 €
----------------	---	--------------	-----------------

**Pressure measuring transducers,
incl. DIN plug-in connectors,
with active output**

The pressure sensor / differential pressure sensor **PREMASGARD® SHD 400** is used to measure above-atmospheric, below-atmospheric, and differential pressures in virtually neutral gaseous and liquid media. A rugged and non-sensitive ceramic pressure measuring cell is used. The measuring pressure acts on the ceramic membrane, causing it to deform. This membrane is fitted with a DMS bridge whose resistance value changes in proportion to the degree of deformation. The electronics integrated in the transmitter housing converts this change in resistance into a standard signal of 0-10V or 4...20mA. The process connection is implemented via two internal threads G 1/8". It is used in all areas of industrial and sanitary measurement technology, such as differential pressure measurement between the supply and return lines in heating systems or for monitoring filters, fans, and compressors.

TECHNICAL DATA

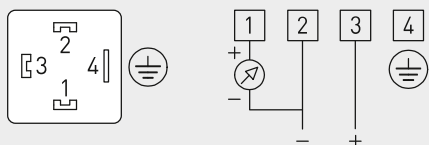
Power supply:	24 V AC / DC (± 20 %)
Measuring ranges:	see table
Output:	0-10 V or 4...20 mA
Permissible working resistance: (at nominal voltage)	R _L = 2 kΩ for U-variant R _L = 700 Ω for I-variant
Electrical connection:	0.25 - 1.5 mm ² , via plug-in connector DIN EN 175301-803-A (included in the scope of delivery)
Pressure connection:	G 1/8" internal thread (optional connection types upon request)
Type of pressure:	differential pressure, above- or below atmospheric pressure
Medium:	liquid or gaseous
Temperature of medium:	-20...+80 °C (non-freezing media)
Mounting:	by 2x M4 screw or fixing plate for wall mounting (installation arbitrary)
Housing:	stainless steel V2A (1.4305)
Medium contacting parts:	ceramic, stainless steel V2A (1.4305), brass, fluorinated rubber
Response time:	< 5 ms
Characteristic line:	< 1 % of final value (at +25 °C)
Overload range:	see table (one-sided max. pressure)
Bursting pressure:	64 bar
Protection class:	III (according to EN 60 730)
Protection type:	IP 65 (according to EN 60 529)
Standards:	CE conformity, electromagnetic compatibility according to EN 61 326, EMC directive 2014 / 30 / EU
ACCESSORIES	
VSD-xx-VA / ms	Fitting set, made of stainless steel VA or brass (see table)
WH-400	Fixing plate for wall mounting (wall holder)



A plus and minus symbol etched on the housing identifies the side on which the respective pressure connection is to be connected below:
(+) for higher pressure
(-) for lower pressure



Schematic diagram **SHD 400**



Connecting diagram **SHD 400 - U**

- 1 Output pressure 0-10V
- 2 UB- GND
- 3 UB+ 24V AC/DC
- 4 GND

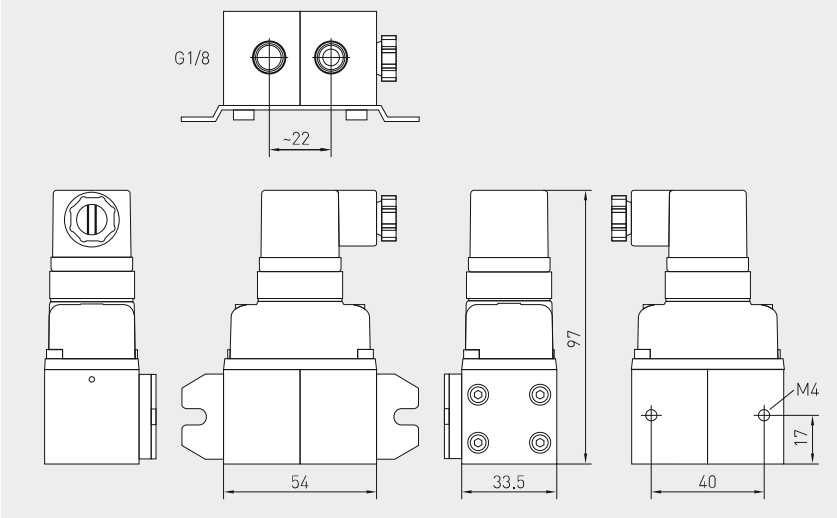
Connecting diagram **SHD 400 - I**

- 1 Output pressure 4...20mA
- 2 UB- GND
- 3 UB+ 24V AC/DC
- 4 GND



Dimensional drawing

SHD 400



SHD 400



VSD-06-VA
Fitting set
(optional)



WH-400
Wall holder
(optional)



PREMASGARD® SHD 400 Pressure measuring transducers, *Standard* for gaseous and liquid media

Type / WG01	Measuring Range	One-sided max. pressure (+)	One-sided max. pressure (-)	System pressure	Output	Item No.	Price
SHD 400 - U						U - variant	
SHD 400 U VA 2	0... 2 bar	10 bar	5 bar	16 bar	0-10V	1301-4131-0850-139	351,28 €
SHD 400 U VA 4	0... 4 bar	21 bar	15 bar	16 bar	0-10V	1301-4131-0540-139	351,28 €
SHD 400 U VA 6	0... 6 bar	21 bar	15 bar	16 bar	0-10V	1301-4131-0550-139	351,28 €
SHD 400 U VA 10	0... 10 bar	25 bar	25 bar	45 bar	0-10V	1301-4131-0560-139	351,28 €
SHD 400 - I						I - variant	
SHD 400 I VA 2	0... 2 bar	10 bar	5 bar	16 bar	4...20 mA	1301-4132-0850-139	351,28 €
SHD 400 I VA 4	0... 4 bar	21 bar	15 bar	16 bar	4...20 mA	1301-4132-0540-139	351,28 €
SHD 400 I VA 6	0... 6 bar	21 bar	15 bar	16 bar	4...20 mA	1301-4132-0550-139	351,28 €
SHD 400 I VA 10	0... 10 bar	25 bar	25 bar	45 bar	4...20 mA	1301-4132-0560-139	351,28 €

ACCESSORIES

VSD-06-MS	Fitting set made of brass, 6 mm	7100-0064-1100-000	15,22 €
VSD-08-MS	Fitting set made of brass, 8 mm	7100-0064-1300-000	15,33 €
VSD-06-VA	Fitting set made of stainless steel VA, 6 mm	7100-0064-1200-000	64,96 €
VSD-08-VA	Fitting set made of stainless steel VA, 8 mm	7100-0064-1400-000	74,64 €
WH-400	Fixing plate for wall mounting (wall holder)	7100-0066-0100-000	14,40 €

Pressure measuring transducers, incl. DIN plug-in connectors and mounting angle, with active output

The pressure sensor / differential pressure sensor **PREMASGARD® SHD-692** is used for pressure measurement in gaseous and liquid media. It converts the measurand into standard signals of 0-10V or 4...20mA. Process connection is 2 x G 1/8" - 27 NPT internal thread. SHD-692 differential pressure transmitters are used in piping and hydraulic systems, in mechanical and plant engineering as well as in building automation.

Not applicable for ammonia and Freon!

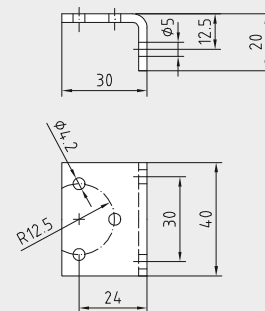
SHD 692
with display
(optional)



TECHNICAL DATA

Power supply:	24V AC (+15% / -10%), 18 - 33V DC for U-variant 24V DC (±20%) for I-variant
Measuring ranges:	see table
Output:	0-10V (3-wire connection) or 4...20mA (2-wire connection)
Permissible working resistance: (at nominal voltage)	$R_L > 10\text{ k}\Omega$ for U-variant $R_L < 600\ \Omega$ for I-variant
Electrical connection:	0.25 - 1.5 mm ² , via plug-in connector DIN EN 175301-803-A (included in the scope of delivery)
Pressure connection:	screw pipe connection for 6 mm pipe (G 1/8" - 27 NPT internal thread)
Type of pressure:	differential pressure
Measuring principle:	ceramic measuring cell
Medium:	liquid or gaseous
Temperature of medium:	-15...+80 °C
Mounting:	by mounting angle (included in the scope of delivery), installation arbitrary
Housing:	stainless steel V2A (1.4305)
Medium contacting parts:	INOX (1.4305), ceramics, sealing material EPDM
Response time:	< 5 ms
Class:	0.5%
Total error:	< 1.3%
Overload range:	see table (one-sided max. pressure)
System pressure:	max. 25 bar (P1 + P2)
Bursting pressure:	1.5 x system pressure
Insulating resistance:	≥ 100 MOhm, at +20 °C (500V DC)
Protection class:	III (according to EN 60 730)
Protection type:	IP 65 (according to EN 60 529)
Standards:	CE conformity, electromagnetic compatibility according to EN 61 326, EMC directive 2014 / 30 / EU
ACCESSORIES:	Display-Modul , made of plastic, polyamide material, black colour, extra height: approx. 73 mm, pluggable, factory-calibrated and configured , for displaying the differential pressure (in bar, other units available upon request.)

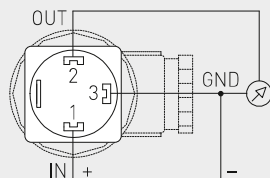
Dimensional drawing **SHD 692**
Mounting angle



Connecting diagram

SHD 692-U

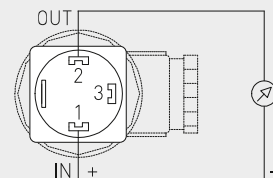
- 2 Output pressure 0-10V
- 3 GND
- 1 Supply voltage UB+ 24V AC / 18-33V DC

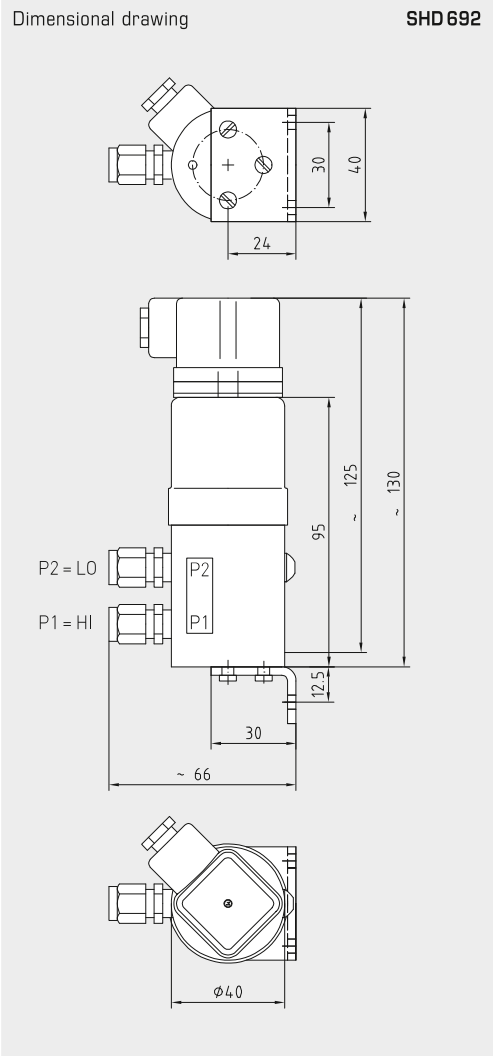


Connecting diagram

SHD 692-I

- 2 Output pressure 4...20mA
- 3 Free
- 1 Supply voltage UB+ 24V DC





SHD 692 without display (standard)



Display module (Accessories)



PREMASGARD® SHD 692 Pressure measuring transducers, *Deluxe* or gaseous and liquid media

Type / WG02	Measuring Range	One-Sided max. pressure	Output	Item No.	Price
SHD 692-U				U-variant	
SHD 692-U-900	0...0,1 bar	0,6 bar	0-10 V	1301-4121-0500-000	553,28 €
SHD 692-U-907	0...0,5 bar	3 bar	0-10 V	1301-4121-0510-000	553,28 €
SHD 692-U-912	0... 1 bar	5 bar	0-10 V	1301-4121-0520-000	553,28 €
SHD 692-U-916	0...2,5 bar	12 bar	0-10 V	1301-4121-0530-000	553,28 €
SHD 692-U-918	0... 4 bar	12 bar	0-10 V	1301-4121-0540-000	553,28 €
SHD 692-I				I-variant	
SHD 692-I-900	0...0,1 bar	0,6 bar	4...20 mA	1301-4122-0500-000	553,28 €
SHD 692-I-907	0...0,5 bar	3 bar	4...20 mA	1301-4122-0510-000	553,28 €
SHD 692-I-912	0... 1 bar	5 bar	4...20 mA	1301-4122-0520-000	553,28 €
SHD 692-I-916	0...2,5 bar	12 bar	4...20 mA	1301-4122-0530-000	553,28 €
SHD 692-I-918	0... 4 bar	12 bar	4...20 mA	1301-4122-0540-000	553,28 €
Note:	Not applicable for ammonia and freon!				

ACCESSORIES					
LCD-SHD	Display-Modul, factory-calibrated and configured, pluggable, LCD display rotatable and tiltable (in bar, other units available upon request)			Extra charge	262,02 €



**HVAC & BYGNINGS-
AUTOMATIK**

VORES PRODUKTSORTIMENT INKLUDERER:



FLWSWITCHE



TRYKFØLERE



POWER IO



TILBEHØR



TRYK



TEMPERATUR AKTIV

VI FØRER PRODUKTER INDENFOR KATEGORIERNE:



AUTOMATIK



ELVARME



KØLEPROFILER

NEWTRONIC

Ove Jensens Alle 35 F
DK-8700 Horsens
Denmark
www.newtronic.eu
www.newtronic.dk
+45 7669 7090