



S+S REGELTECHNIK



THERMASGARD® DTF
HYGRASGARD® DFTF
PHOTASGARD® DHKF
KINASGARD® DBWF-C
KINASGARD® DBWF/LF/FTF
PREMASGARD® DAL

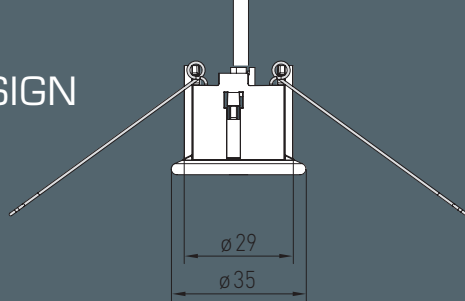
PLUGGABLE AND UNOBTRUSIVE -
IN-CEILING SENSORS FOR SUSPENDED CEILINGS
AND PARTITION WALLS

PRODUCT RANGE 2024



FÜHLBARE PRÄZISION

HOUSING DESIGN IN-CEILING



HYGRASGARD® DFF
transmitter in housing
Tyr1 without display

352,92 €



HYGRASGARD® DFTF
transmitter in housing
Tyr1 with display

421,31 €

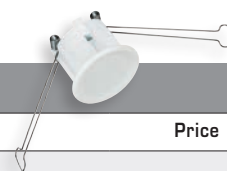


THERMASGARD® DTF
with passive sensors
(e.g. Pt100, Pt1000)

41,96 €

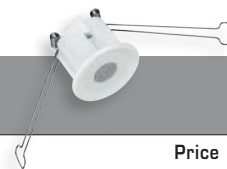
THERMASGARD® DTF In-ceiling temperature sensors

Type / WG03	Sensor / Output	Item No.	Price
DTF			
DTF Pt100	Pt100 (according to DIN EN 60 751, class B)	1101-60C0-1003-000	41,96 €
DTF Pt1000	Pt1000 (according to DIN EN 60 751, class B)	1101-60C0-5003-000	41,96 €
DTF Ni1000	Ni1000 (according to DIN EN 43 760, class B, TCR = 6180 ppm/K)	1101-60C0-9003-000	41,69 €
DTF NiTK	Ni1000 TK5000 (TCR = 5000 ppm/K), LG-Ni1000	1101-60C1-0003-000	45,78 €
DTF LM235Z	LM235Z (TCR = 10 mV/K; 2.73 V at 0 °C), KP10	1101-60C2-1003-000	42,94 €
DTF NTC1,8K	NTC 1.8 K	1101-60C1-2003-000	42,94 €
DTF NTC10K	NTC 10K	1101-60C1-5003-000	42,94 €
DTF NTC20K	NTC 20K	1101-60C1-6003-000	42,94 €
Connecting cable:	PVC, LiYY, 4 x 0.14 mm ² , cable length (KL) = approx. 2 m		
Note:	Other sensors optional		on request



HYGRASGARD® DFF In-ceiling humidity sensors (± 2.0%), Premium HYGRASGARD® DFTF In-ceiling humidity and temperature sensors (± 2.0%), Premium

Type / WG01	Measuring Range / Readout	Output	Display	Item No.	Price
	Humidity	Humidity	Temperature		
DFF					
DFF-I	0...100% RH	4...20 mA	-	1201-6132-0000-100	352,92 €
DFF-I LCD	0...100% RH	4...20 mA	-	■ 1201-6132-0200-100	412,75 €
DFF-U	0...100% RH	0-10 V	-	1201-6131-0000-100	352,92 €
DFF-U LCD	0...100% RH	0-10 V	-	■ 1201-6131-0200-100	412,75 €
DFTF					
DFTF-I	0...100% RH	4...20 mA	4...20 mA	1201-6132-1000-100	361,47 €
					-35...+75 °C -35...+35 °C 0...+50 °C 0...+80 °C
DFTF-I LCD	0...100% RH	4...20 mA	4...20 mA	■ 1201-6132-1200-100	421,31 €
DFTF-U	0...100% RH	0-10 V	0-10 V	1201-6131-1000-100	361,47 €
DFTF-U LCD	0...100% RH	0-10 V	0-10 V	■ 1201-6131-1200-100	421,31 €
Connecting cable:	PVC, LiYY, 4 x 0.14 mm ² , cable length (KL) = approx. 2 m				
Metal sinter filter:	stainless steel V4A (1.4404)				





KINASGARD® DBWF-C
compact form,
without display

107,10 €

KINASGARD® DBWF-W
transmitter in housing
Tyr1 without display

143,23 €

PHOTASGARD® DHKF
transmitter in housing
Tyr1 without display

152,66 €



KINASGARD®
DBWF/LF/FTF-W
multifunctional,
housing Ø 96 mm

242,89 €

We have complemented our sensors for installation in suspended ceilings or partition walls of hallways, offices, laboratories, business and residential premises with two models to cover the variables of humidity and light intensity.

All devices now feature the same new housing design providing a uniform and stylish yet unobtrusive appearance. The connecting heads plug in for ease of assembly and can also be painted if required.

PHOTASGARD® DHKF		In-ceiling light intensity sensors		
Type / WG01	Measuring Range	Output	Item No.	Price
Light Intensity (adjustable)				
Light Intensity				
DHKF				
DHKF I	0...500 Lux / 1 / 2 / 5 / 20 / 60 kLux	4 ... 20 mA	1601-6122-1000-000	152,66 €
DHKF U	0...500 Lux / 1 / 2 / 5 / 20 / 60 kLux	0-10 V	1601-6121-1000-000	152,66 €
Extra charge:	other individual measuring ranges optional, e.g. 100 kLux			on request
Connecting cable:	PVC, LiYY, 4 x 0.14 mm ² , cable length (KL) = approx. 2 m			

KINASGARD® DBWF KINASGARD® DBWF-C		In-ceiling motion sensor		
Type / WG01	Detection, Measuring Range	Output	Item No.	Price
Presence + Motion				
Presence + Motion				
DBWF				
DBWF-W	yes / no (relay on / off)	Changeover contact	1401-6120-3000-000	143,23 €
DBWF-C	yes / no (relay on / off)	Normally open contact	1401-6130-1000-006	107,10 €
Connecting cable:	PVC, LiYY, 4 x 0.14 mm ² , cable length (KL) = approx. 2 m			

KINASGARD® DBWF/LF/FTF		In-ceiling motion, light, temperature and humidity sensor		
Type / WG02	Detection, Measuring Range	Output	Item No.	Price
DBWF-LF-FTF-W				
Ø 96 mm				
Presence + Motion	yes / no (relay on / off)	Changeover contact	1401-6114-3100-000	242,89 €
Light Intensity	0...1000 / 5000 Lux (DIP)	0-10 V (linearised)		
Temperature	0...+50 °C	0-10 V		
Humidity	0...100 % RH	0-10 V		
Outputs:	0-10V or inverted 10-0V (selectable via DIP switchesr)			

PREMASGARD® DAL		Accessories for differential pressure switches		
Type / WG01	Pressure outlet for ceiling and in-wall installation (e.g. in clean rooms)	Item No.	Price	
DAL-01	as a pressure reference point	7300-0060-3000-001	36,84 €	
DAL-02	for hose attachment	7300-0060-3000-100	36,84 €	
DAL-03	as a pressure reference point, with sinter filter made of stainless steel V4A (1.4404)	7300-0060-3000-200	69,00 €	



S+S REGELTECHNIK



The new S+S company headquarters on a total area of 14,000m² in Nordostpark on the outskirts of Nuremberg offers a seamlessly integrated production and development environment with excellent air and road links.

S+S stands for a fully integral value chain. All products are designed, developed, manufactured and programmed in-house.

Development, manufacturing and sales in Nuremberg are certified by TÜV Thüringen according to DIN EN ISO 9001:2015 (quality management) and DIN EN ISO 14001:2015 (environmental management).

All devices are function tested as well as calibrated in-house prior to shipment and meet strict safety, quality and sustainability standards.



S+S REGELTECHNIK GMBH
THURN-UND-TAXIS-STR. 22
90411 NUREMBERG / GERMANY

PHONE +49 (0) 911 / 5 19 47-0

mail@SplusS.de

www.SplusS.de

Prices by S+S are understood plus legal value added tax at the respective rate in effect. All information provided without prejudice, technical modifications and price changes reserved. Reprints, even excerpts, are only permitted with the approval of S+S Regeltechnik GmbH.

You can find technical data and further information in our catalogue or web shop.



Order conveniently online: www.SplusS.de