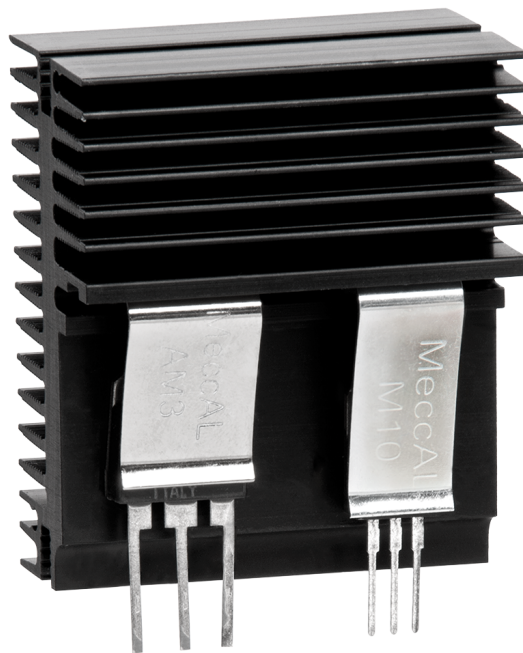


KØLEPROFILER



CLIPS

SERIE L

CLIP SYSTEM



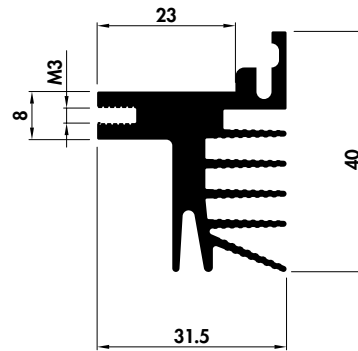
L40 31

Kg/mt: 1,06

L: 50 mm

Rth,N: 4,31 K/W

Rth,F: 1,455 K/W



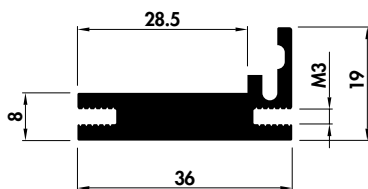
L36 19

Kg/mt: 0,76

L: 50 mm

Rth,N: 7,24 K/W

Rth,F: 2,448 K/W



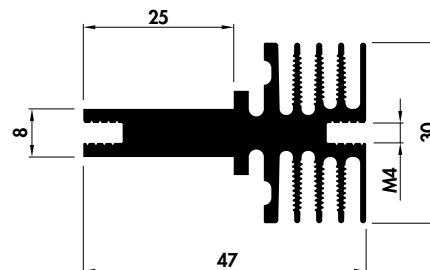
L47 30

Kg/mt: 1,31

L: 50 mm

Rth,N: 3,53 K/W

Rth,F: 1,193 K/W



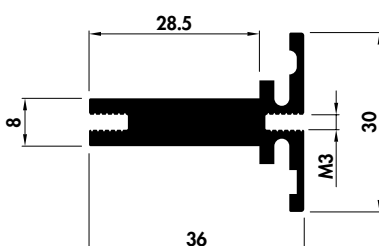
L36 30

Kg/mt: 0,84

L: 50 mm

Rth,N: 6,34 K/W

Rth,F: 2,144 K/W



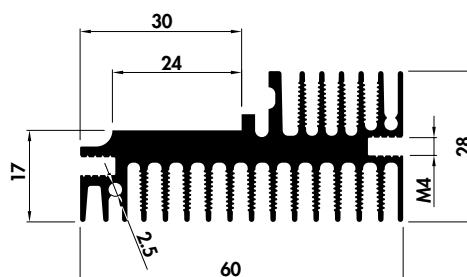
L60 28

Kg/mt: 1,72

L: 50 mm

Rth,N: 2,34 K/W

Rth,F: 0,790 K/W



SERIE L

CLIP SYSTEM

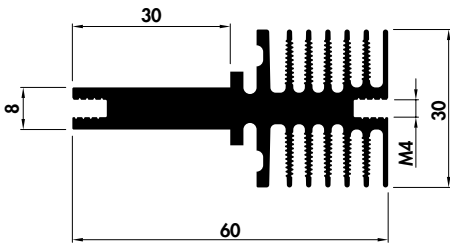
L60 30

Kg/mt: 1,71

L: 50 mm

Rth,N: 2,86 K/W

Rth,F: 0,966 K/W



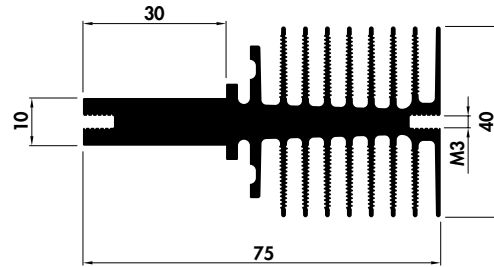
L75 40

Kg/mt: 2,61

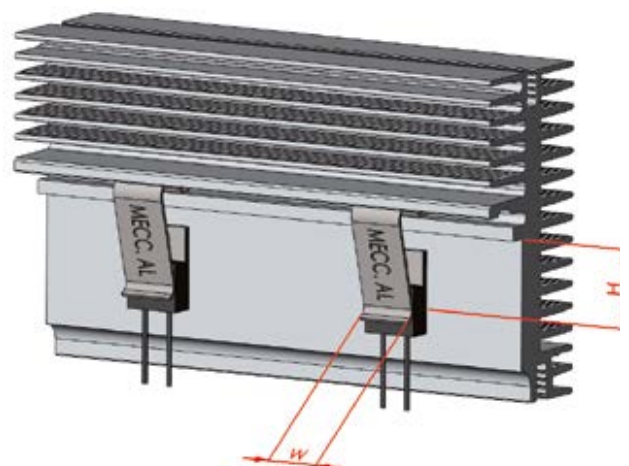
L: 50 mm

Rth,N: 1,99 K/W

Rth,F: 0,673 K/W



Clip Part Number	H	W	Force	Package	Surface Treatment
M1	13,5 mm	10 mm	20 N	TO220	Zinc/Nikel
M2	13,5 mm	13 mm	60 N	TO220	Zinc/Nikel
M3	13,5 mm	15 mm	45 N	TO218 TO220 TO247	Zinc/Nikel
M4	13,5 mm	20 mm	40 N	TO247	Zinc/Nikel
M10	17,5 mm	12 mm	40 N	TO220	Zinc/Nikel
M12	17,5 mm	6 mm	20 N	TO92	Zinc/Nikel

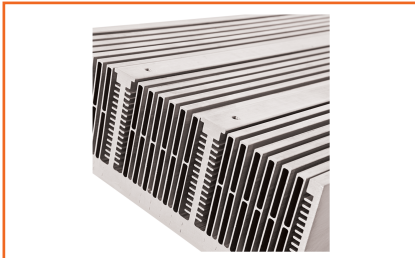




KØLEPROFILER



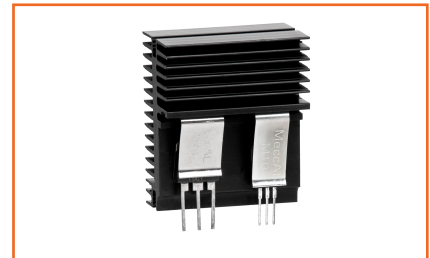
VORES PRODUKTSORTIMENT INKLUDERER:



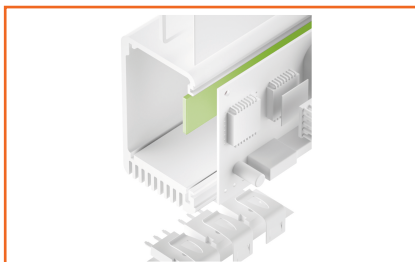
HIGH PERFORMANCE



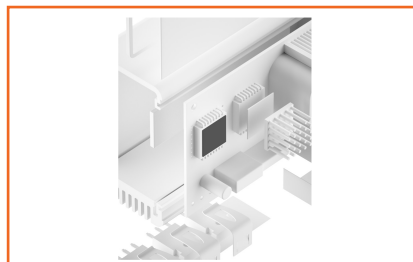
EKSTRUDEREDE



CLIPS



GAP FILLER SILICONE-FREE



GRAPHITE FOILS



TERMISK LEDENDE MATERIALE

VI FØRER PRODUKTER INDENFOR KATEGORIERNE:



AUTOMATIK



**HVAC & BYGNINGS-
AUTOMATIK**



ELVARME



NEWTRONIC

Ove Jensens Alle 35 F
DK-8700 Horsens
Denmark
www.newtronic.eu
www.newtronic.dk
+45 7669 7090

